

WIRING

To VDC(10~30V): ----- **RED**

To Chassis Ground: ----- **BLACK**

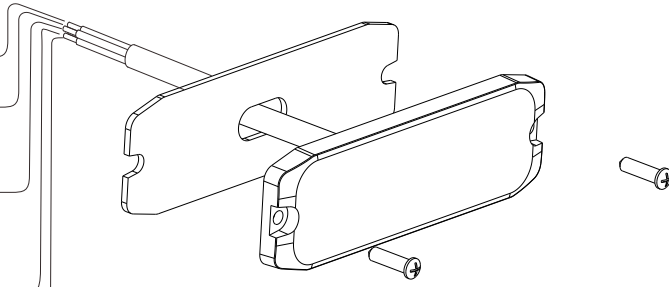
For Synchronization & Flash Patterns: ----- **YELLOW**

Connect **YELLOW** wires of multiple lightheads together for synchronization(All heads should be set at the same Flash Pattern)

For Low Power: ----- **GREEN**
Connect **GREEN** wires to +VDC continuously for low power operation

For Split Flash mode & Alternately: ----- **WHITE**

To change split flash mode, apply VDC+ less than 1 sec and release.



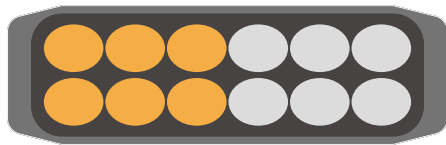
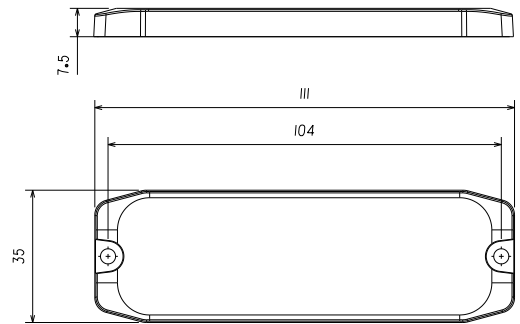
OPERATION

For Simultaneous/Alternation Flash And Split Flash Mode:

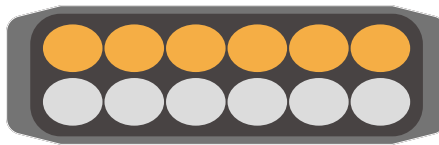
1. Apply **WHITE** wire to +VDC less than 1 sec and release then change to the Group.

- Heads of the same Groups will flash together.
- Heads of different Groups will flash alternately.

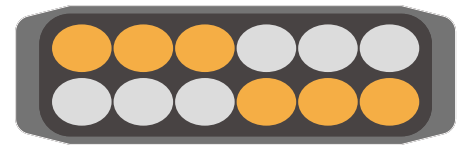
- Split Flash Mode



#3 & #4 Left-Right



#1 & #2 Top-Down



#5 & #6 Criss-Cross

For Flash Patterns:

Momentarily apply +VDC to **YELLOW** wire once for next pattern. Keep **YELLOW** wire and +VDC connect more than 3 sec for FP#1.

NOTE: This unit may not be factory set at FP# 1.

| # | Flash Patterns | | |
|----|---------------------|----|-----------------------|
| 1 | Single(R65) | 14 | Double(2HZ)(SPLIT) |
| 2 | Double(2HZ) | 15 | Triple(2HZ)(SPLIT) |
| 3 | Triple(2HZ) | 16 | Quad(2HZ)(SPLIT) |
| 4 | Quad(2HZ) | 17 | Single(SPLIT) |
| 5 | Single(SAE)(ALL) | 18 | Double(SPLIT) |
| 6 | Double(SAE)(ALL) | 19 | Quad(SPLIT) |
| 7 | Quad(SAE)(ALL) | 20 | Quint(SPLIT) |
| 8 | Quint(ALL) | 21 | Nonuplet(SPLIT) |
| 9 | Nonuplet(ALL) | 22 | Single to Quad(SPLIT) |
| 10 | Single to Quad(ALL) | 23 | Steady Half 1 |
| 11 | Rotator Fast | 24 | Steady Half 2 |
| 12 | Rotator Slow | 25 | Steady ALL |
| 13 | Single(2HZ)(SPLIT) | | |

| # | FLASH MODES | GROUP |
|---|---------------------|---------|
| 1 | Left-Right(default) | Group A |
| 2 | Left-Right | Group B |
| 3 | Top-Down | Group A |
| 4 | Top-Down | Group B |
| 5 | Criss-Cross | Group A |
| 6 | Criss-Cross | Group B |