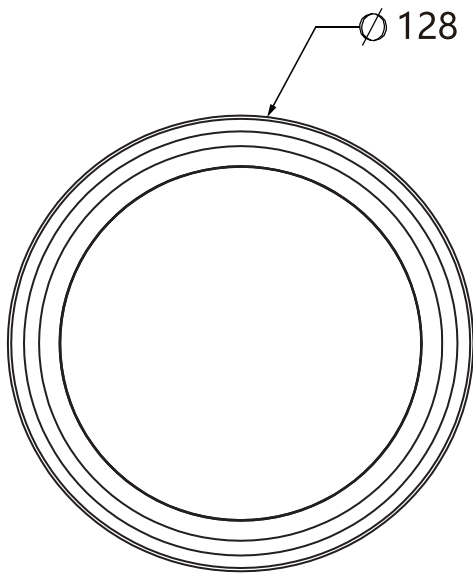


# LED Interior Light

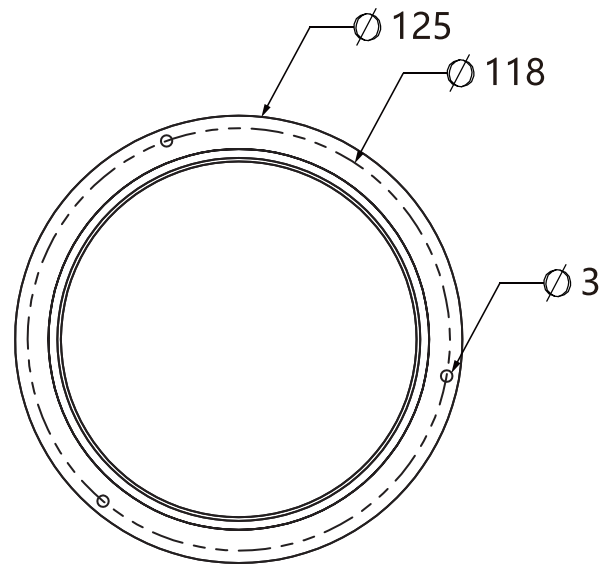
## 1. Technical Specifications

Type	NA-ILS05	NA-ILS05T
Max Power	7.2W	
Voltage	12/24VDC	
LED	120pcs 0.5W	
Control Mode	Without Switch	With Touch Switch
IP Rating	IP67	
Operating Temperature	-30°C to +60 °C	
Mount	Screw	

## 2.1. Dimensions



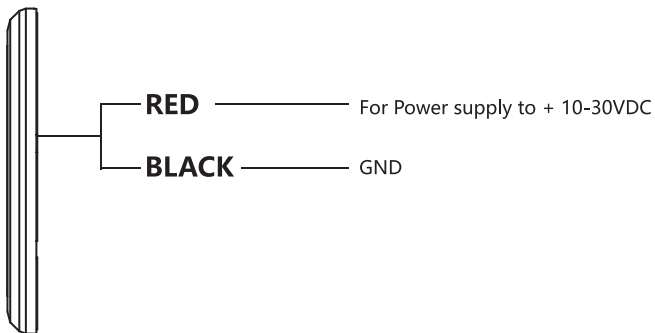
with cover



without cover

## 2. Product Introduction

### Wiring



## 3. Mounting

### Screw mount with cover

