

2023

NOVA Product Brochure



Your Automotive Lighting Partner

Email: [info@novavehicle.com](mailto:info@novavehicle.com)

Tel/Wechat/WhatsApp: 086-15088415393

Office Add.: The North of Tiantong Road 1539#, YinZhou, Ningbo

Manufacturer Add.: 6th floor, Mingguang Road 2529#, Jiangshan,

Yinzhou, Ningbo

[www.novavehicle.com](http://www.novavehicle.com)



# WARNING LIGHT

*Your Automotive Lighting Solution Partner*





# ABOUT US

Ningbo Nova Technology Co;Ltd is one of professional Emergency Warning Light Manufacturer and has been specialized in Automotive Vehicle Lighting industry over 16years. Innovation serves as our guiding star at Nova Vehicle, propelling us to the forefront of progress. Our aim is continuing cater to evolving needs.

With a keen focus on collaboration, we offer OEM and ODM services to both the aftermarket and Original Equipment Manufacturers. Our mission is to be more than just a supplier; we aspire to be your reliable partner in progress.

## ■ Design and Manufacturer

We focus on R&D and have a senior engineer team including optical engineer, structure engineer, electronic engineer, each employee has more than 10 years working experience in the automotive field.

## ■ Completely Vehicle Lighting Solution

We offer completely vehicle lighting solution for all of our clients. Help to create a vehicle lighting procurement chain to reduce comprehensive procurement costs, establish win-win relationships which all parties are mutually beneficial.

## ■ OEM and ODM Service

We have rick experience in OEM and ODM service. No matter how big of your project, modify a bezel or bespoke a new light, NOVA will give you a budget line and a high-end line solution, NOVA is a reliable partner that you can trust.

## ■ To be Your Office, not Only a Supplier

NingBo NOVA Vehicle is looking to establish a strong partnership in the warning lights industry. We are not only a supplier, but wants to be your reliable partner and an extension office in China.

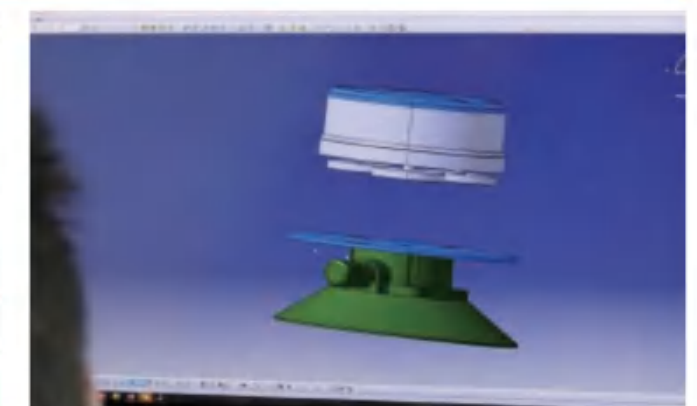
## TEAM BUILDING



## OUR FACTORY



## R&D TEAM





## QUALITY CONTROL

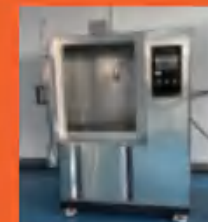
### IN-HOUSE & OUTSIDE APPLICATION TEST



Optical Integrating Machine



Hi-LowTemp. Machine



Anti-Dust Machine

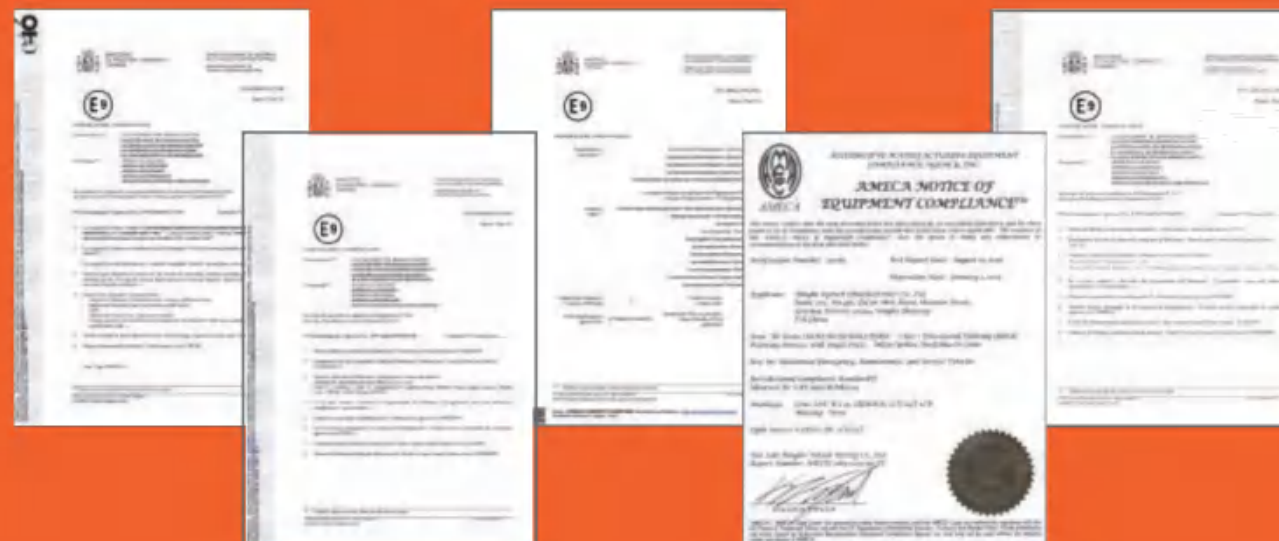


Waterproof Machine



Salty-Corrsion Machine

### ECE R65, CISPER 25, R10, SAE, CE, ROHS, R23, R148





# LED WARNING LIGHT

—

# 01



## SILICONE BENDABLE LED LIGHTHEAD F6

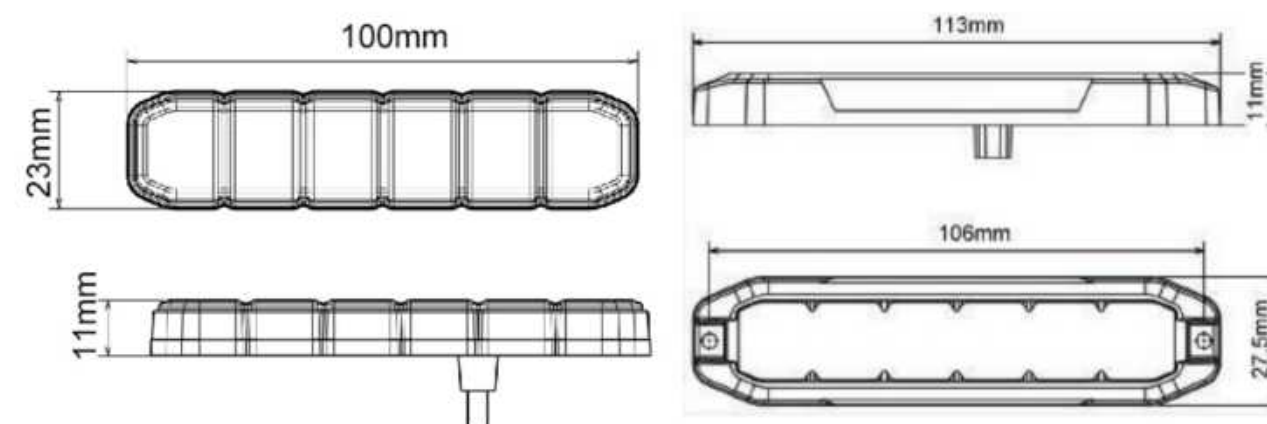


### FEATURES

- Special application on flat or curved surfaces with 3M VHB tape
- Dimension, with bezel 113x27.5x11mm, without bezel 100x23x10mm
- Available in single color and dual color
- It can bend up to 120 degree
- 3M or surface mount
- ECE R65 Class1, R10



### DIMENSION



ITEM	VOLTAGE	COLOR	FLASH PATTERN	LED	IP	MOUNTING	WIRE	APPROVAL
F6	10-30V DC	Single color	20	6pcs x 3W	IP68	3M Mount, Bezel Mount	20cm - 4core wires	R65,R10, SAE
F6D		Dual color	12	12pcs x 3W			20cm - 5score wires	



## SILICONE OPTICAL LENS F6 PRO



### DOW SILICONE LENS

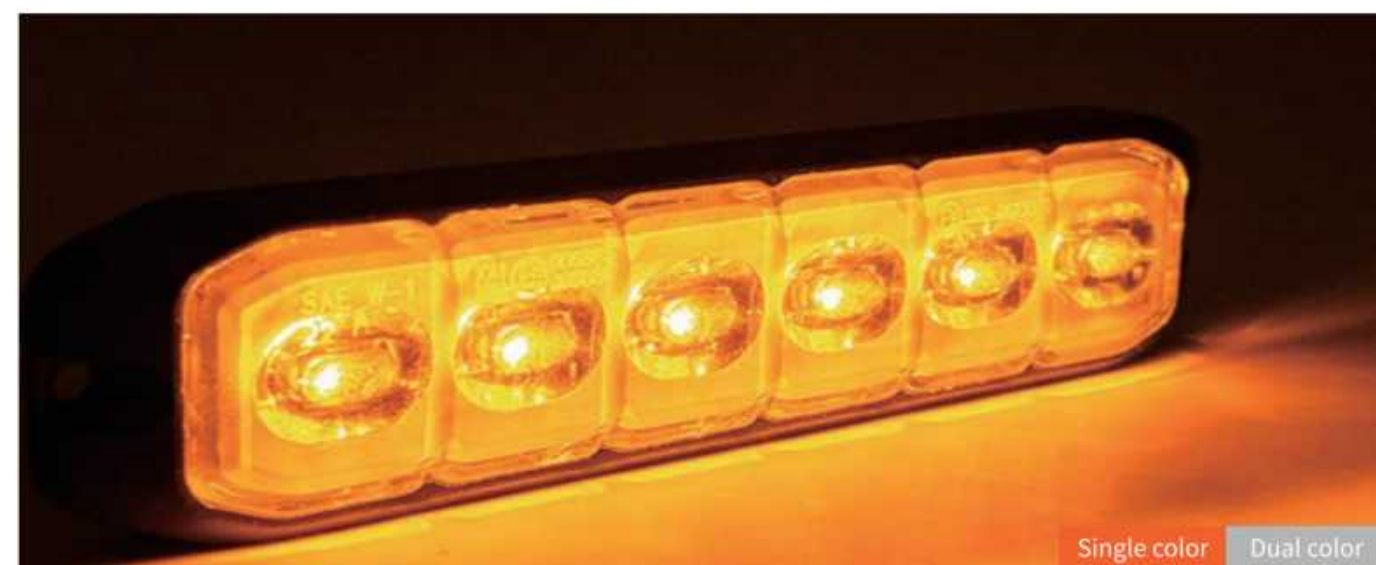


Scratch Resistant & Temperature Resistant  
Anti-UV & Anti-Shock



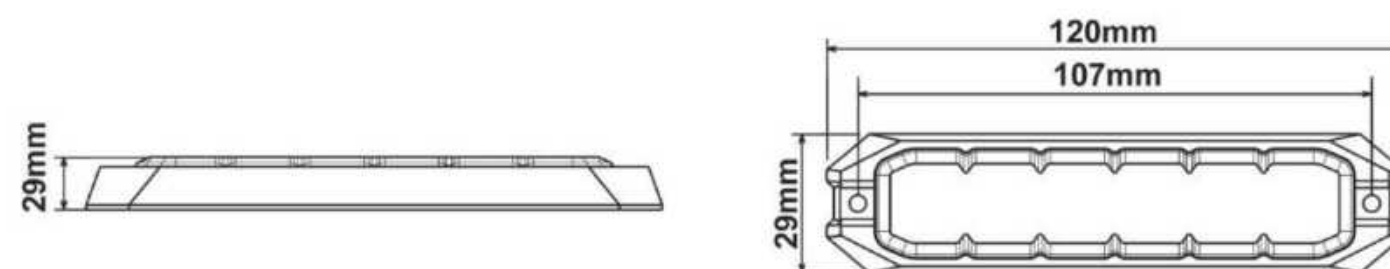
### ALUMINUM BASE

Excellent in Heat Dissipation  
Powerful and Stronger



## IMPORTED LED MORE BRIGHTNESS

### DIMENSION



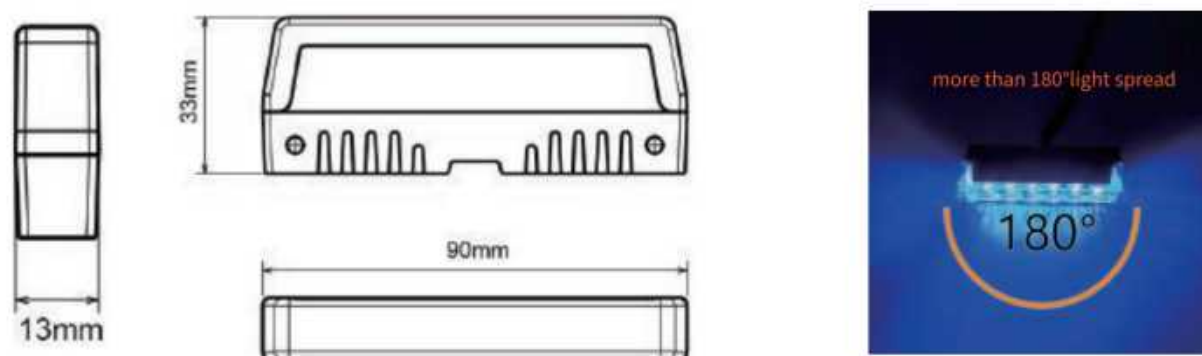
ITEM	VOLTAGE	COLOR	FLASH PATTERN	LED	IP	MOUNTING	WIRE	APPROVAL
F6 Pro	10-30V DC	Single color	20	6pcs x 3W	IP68	Screw mount	20cm 5-core wires	R65,R10, SAE
F6D Pro		Dual color	12	12pcs x 3W			20cm 6-core wires	



## NR180



### DIMENSION



### FEATURES

- Ultra Slim design
- Wide beam angle 180-degree
- Available in Single color or Dual color
- 50% power steady on functions available
- Built-in 20 selectable flash patterns with Pattern Memory
- Aluminum base for efficient heat dissipation
- UV-resistant PC
- Multiple mount options



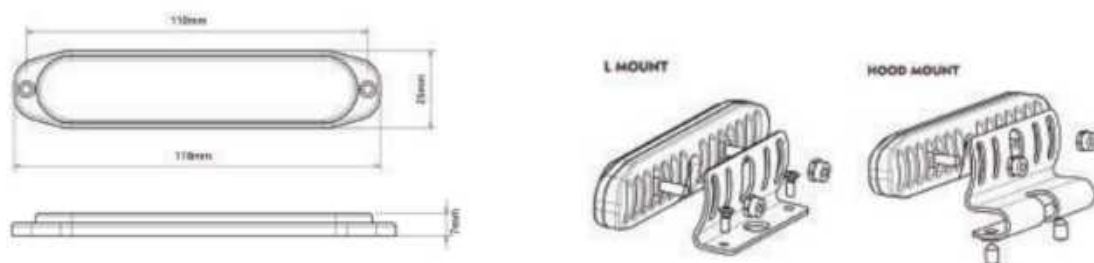
ITEM	VOLTAGE	COLOR	FLASH PATTERN	LED	IP	MOUNTING	WIRE	APPROVAL
NR180	10-30V DC	Single color	20	12pcs x 3W	IP68	3M Mount, Screw Mount, Offset Mount	20cm -5core wires	R65,R10
NR180D		Dual color	12	18pcs x 3W			20cm -6core wires	



## 06



### DIMENSION



### FEATURES

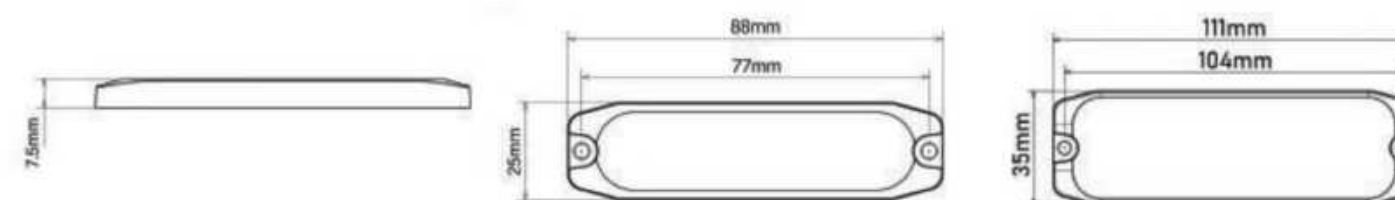
- Ultra-slim body, only 7mm high
- Finely designed polycarbonate lens shape produces uncompromising illumination
- 6pcs high-quality LEDs ensure consistent performance, extremely low current draw
- Aluminum die-cast housing provides excellent heat dissipation
- Fully encapsulated for moisture, vibration and corrosion resistance
- Single color, Dual color and Triple color
- ECE R10(EMC), ECE R65 Class2 and SAE J595 Class1

ITEM	VOLTAGE	COLOR	FLASH PATTERN	LED	IP	MOUNTING	WIRE	APPROVAL
06	10-30V DC	Single color	20	6pcs x 3W	IP68	Screw Mount 3M Mount Bezel Mount	20cm 5-core wires	R65, R10, SAE
06D		Dual color	12	12pcs x 3W			20cm 6-core wires	
06T		Triple color	12	18pcs x 3W				

## O SERIES



### DIMENSION



### FEATURES

- Ultra-slim body, only 7.5mm high
- Finely designed polycarbonate lens shape produces uncompromising illumination
- 3pcs/4pcs/12pcs high-quality LEDs ensure consistent performance, extremely low current draw
- Aluminum die-cast housing provides excellent heat dissipation
- Fully encapsulated for moisture, vibration and corrosion resistance
- ECE R10(EMC), ECE R65 Class1 and SAE J595 Class1

ITEM	VOLTAGE	COLOR	FLASH PATTERN	LED	IP	MOUNTING	WIRE	APPROVAL
03	10-30V DC	Single color	20	3pcs x 3W	IP67	Screw Mount 3M Mount	20cm 4-core wires	R10
04				4pcs x 3W				R65, R10
012				12pcs x 3W				Screw mount

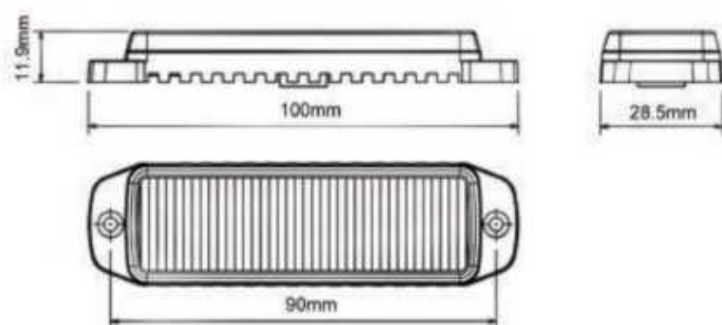




## NL6



### DIMENSION



### FEATURES

- Strong and compact design
- Excellent optical design make the light can meet ECE R65, R10 certificate
- 4pcs or 6pcs high-quality LEDs ensure consistant performance, extremely low current draw
- Aluminum die-cast housing provides excellent heat dissipation
- Single color and can be design in dual color

ITEM	VOLTAGE	COLOR	FLASH PATTERN	LED	IP	MOUNTING	WIRE	APPROVAL
NL6	10-30V DC	Single color	20	6pcs x 3W	IP67	Screw mount	5-core wires	Meet R65, R10

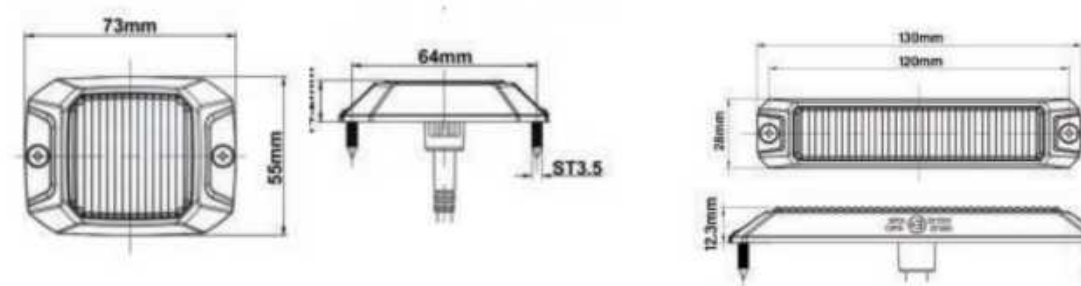
## S4



## S6



### DIMENSION



### FEATURES

- Strong and compact design
- Excellent optical design make the light can meet ECE R65, R10 certificate
- 6pcs high-quality LEDs ensure consistant performance, extremely low current draw
- Aluminum die-cast housing provides excellent heat dissipation
- Single color and can be design in dual color

ITEM	VOLTAGE	COLOR	FLASH PATTERN	LED	IP	MOUNTING	WIRE	APPROVAL
S4	10-30V DC	Single color	12	4 X 3pcs LED	IP67	Surface mount	20cm 4-core wires	R65,R10, SAE, T13
S6				6 X 3W LED				



## SH4



R65 FOR VERTICAL MOUNT  
R65 FOR HORIZONTAL MOUNT

## SH6



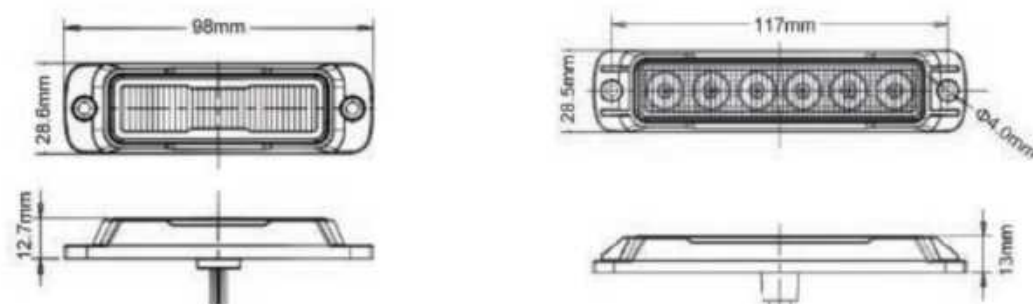
## T3



## V6



### DIMENSION

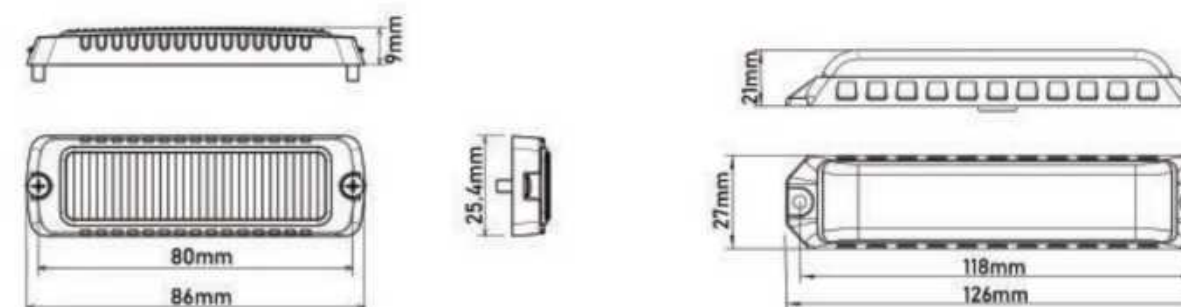


### FEATURES

- Ultra-slim body, only 13mm high
- Finely designed polycarbonate lens shape produces uncompromising illumination
- high-quality LEDs ensure consistent performance, extremely low current
- Aluminum die-cast housing provides excellent heat dissipation
- Fully encapsulated for moisture, vibration and corrosion resistance
- Faster and easier surface mounting via two screws
- ECE R10(EMC), ECE R65 and SAE J595 Class1 Certified
- With horizontal or vertical mount, R65 certificate separately

ITEM	VOLTAGE	COLOR	FLASH PATTERNS	LED	IP	MOUNTING	WIRE	APPROVAL
SH4	10-30V DC	Single color	20	4 X 3W	IP67	Surface Mount	20cm 4-core wires	R65,R10, SAE
SH6				6 X 3W				

### DIMENSION



### FEATURES

- Tiny and powerful lighthouse.
- Finely designed polycarbonate lens shape
- 3W high-quality LED ensure consistent performance, extremely low current draw
- Fully encapsulated for moisture, vibration and corrosion resistance
- With 2 different mounting ways, included screw and 3M tapemount
- Aluminum alloy base, UV-resistant PC Multi-functional wire
- Powered by 10-30V
- High intensity LED; Single or dual color are available
- 17 Flash Patterns with Pattern Memory 180° light spread model
- ECE R65 approval for V6

ITEM	VOLTAGE	COLOR	FLASH PATTERN	LED	IP	MOUNTING	WIRE	APPROVAL
T3	10-30V DC	Single color	20	4pcs x 3W	IP67	Screw Mount	20cm 4-core wires	R65, R10, SAE
V6			28	6pcs x 3W				
V6D			38	12pcs x 3W			20cm 5-core wires	R65



### SL6



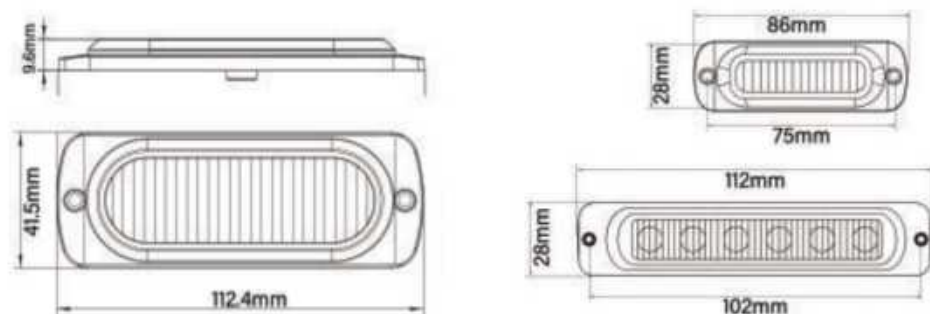
### SL4



### SL12



#### DIMENSION



#### FEATURES

- Finely designed polycarbonate lens shape produces uncompromising illumination
- 4, 6, 12pcs high-quality LEDs ensure consistent performance, extremely low current draw
- Aluminum die-cast housing provides excellent heat dissipation
- Fully encapsulated for moisture, vibration and corrosion resistance
- Faster and easier surface mounting via two screws

ITEM	VOLTAGE	COLOR	FLASH PATTERN	LED	IP	MOUNTING	WIRE	APPROVAL
SL4	10-30V DC	Single color	19	4pcs x 3W	IP67	Surface mount	20cm 4-core wires	/
SL6				6pcs x 3W				
SL12				12pcs x 3W				

### SF3



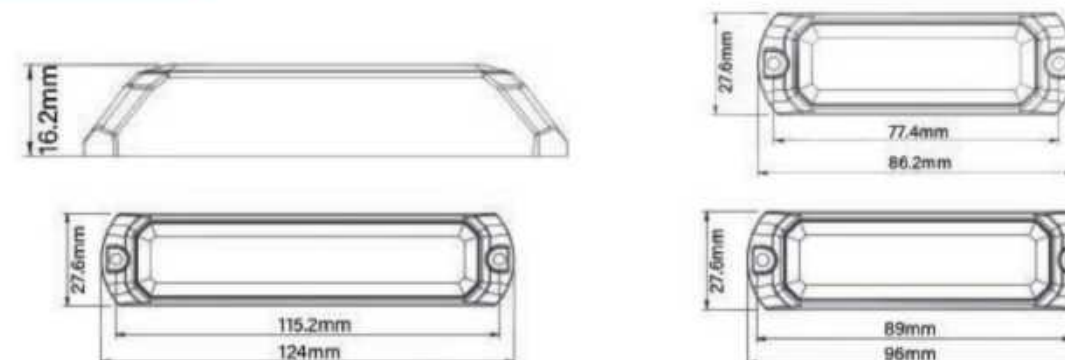
### SF4



### SF6



#### DIMENSION



#### FEATURES

- Finely designed polycarbonate lens shape produces uncompromising illumination
- High-quality LEDs ensure consistent performance, extremely low current draw
- Aluminum die-cast housing provides excellent heat dissipation
- Fully encapsulated for moisture, vibration and corrosion resistance
- Faster and easier surface mounting via two screws

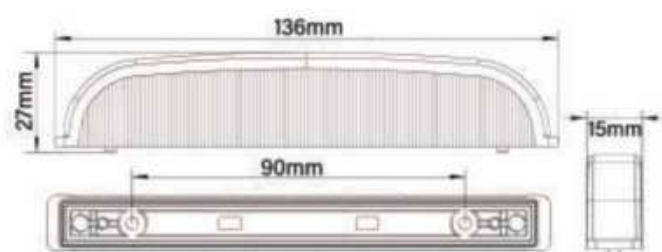
ITEM	VOLTAGE	COLOR	FLASH PATTERN	LED	IP	MOUNTING	WIRE	APPROVAL
SF3	10-30V	Single color	16	3pcs x 3W	IP67	Surface mount	20cm 4-core wires	CE/RoHS
SF4				4pcs x 3W				
SF6				6pcs x 3W				



## B9



### DIMENSION



### FEATURES

- Ultra-slim body, only 15mm high, suitable for grille mount
- Finely designed polycarbonate lens shape produces uncompromising illumination
- 9pcs high-quality LEDs, available in single color and dual color
- 180 degree wide-angle brightness
- Fully encapsulated for moisture, vibration and corrosion resistance
- Comes with bracket

ITEM	VOLTAGE	COLOR	FLASH PATTERN	LED	IP	MOUNTING	WIRE	APPROVAL
B9	10-30V DC	Single color	19	9 X 3W LED	IP67	Screw Mount, Bracket Mount	20cm 5-core wires	/
B9D		Dual color	38	18 X 3W LED				

## NW-FW



### FEATURES

- A flexible and waterproof warning light designed to mark the stand, but can be used anywhere on vehicles and machines
- A simple and tool-free mounting with two cable ties that ensure a stable mounting.
- The length is available with 19cm 24cm 34cm
- The standard voltage is 12V, can be bespoke to 10-30V

### APPLICATION IN HEAVY MACHINE

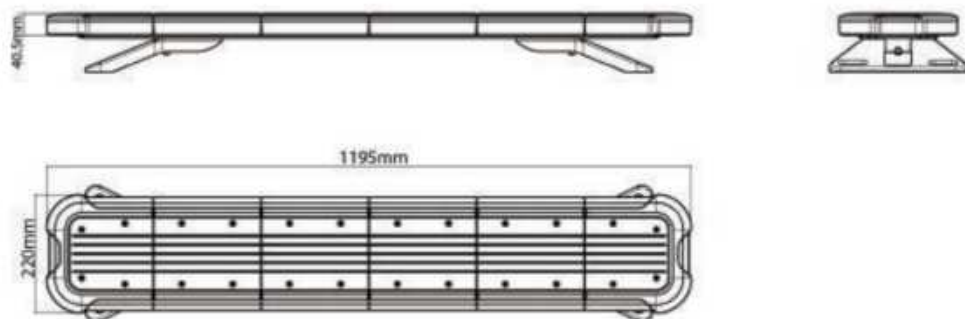




## NV-LB



### DIMENSION



### FEATURES

- Ultra-slim body, available with 20", 32", 40", 48", 56", 64", 72"
- Available with amber lens and clear lens. Finely designed polycarbonate lens shape produces uncompromising illumination
- 3W high-quality LEDs ensure consistent performance, extremely low current draw
- Aluminum die-cast base provides excellent heat dissipation
- Fully encapsulated for moisture, vibration and corrosion resistance
- Available with Controller

ITEM	VOLTAGE	COLOR	FLASH PATTERN	LED	IP	MOUNTING	WIRE	APPROVAL
NV-LB48	10-30V	Single color	25	150pcs x 3W	IP67	Magnetic Mount, Permanent Mount	5m Cables	R65 and R10 in pending
		Dual color	40	300pcs x 3W				



## NVL-TL



### DIMENSION



### FEATURES

- Ultra-slim body, available with 20", 32", 40", 48", 56", 64", 72"
- Available with amber lens and clear lens. Finely designed polycarbonate lens shape produces uncompromising illumination
- 1W high-quality LEDs ensure consistent performance, extremely low current draw
- Aluminum die-cast base provides excellent heat dissipation
- Fully encapsulated for moisture, vibration and corrosion resistance
- Available with wireless Controller or wire Controller

ITEM	VOLTAGE	COLOR	FLASH PATTERN	LED	IP	MOUNTING	WIRE	APPROVAL
NV-TL48	10-30V	Single color	10	126pcs x 3W	IP67	Permanent Mount	5m Cables	R65 and R10

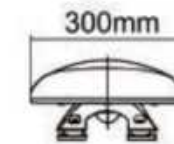
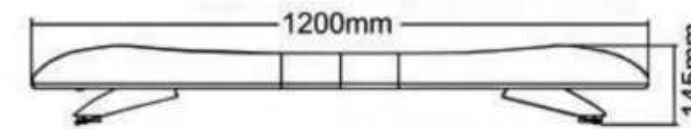
## COMB-48



## COMB-S48



### DIMENSION



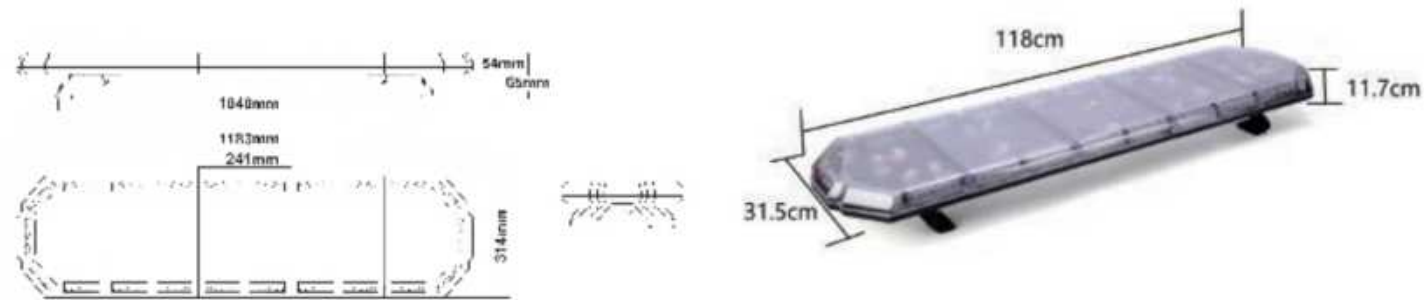
### FEATURES

- Available with 25", 30", 42", 48", 60", 72"
- Clear lens or colored lens is for options
- Aluminum die-cast base provides excellent heat dissipation
- Fully encapsulated for moisture, vibration and corrosion resistance
- With 100W speaker for option

ITEM	VOLTAGE	COLOR	FLASH PATTERN	LED	IP	MOUNTING	WIRE	APPROVAL
Comb-S48	12/24V DC	Single color	13	60pcs x 3W	IP66	Permanent Mount	5m Cables	/
Comb-48				72pcs x 3W				



## NV-LH



### TWO OPTICAL OPTIONS

TIR optical



LINEAR optical



### FEATURES

- Powerful 3W led for high brightness design
- Aluminum base with PC lens cover
- Available with TIR or LINEAR lens optional
- 10/30V feature high lighting performance
- Available in 3leds and 4leds modules
- 3 length options: 18", 27", 46.5"
- Easy assembly and afterservice

ITEM	VOLTAGE	COLOR	FLASH PATTERNS	LED	IP	MOUNTING	WIRE	APPROVAL
NV-LH46	10-30V DC	Single color	25	84pcs x 3W	IP66	Permanent Mount	5m Cables	R65 and R10
NV-LH46D		Dual color		168pcs x 3W				

## NV-LWAY30



### DIMENSION



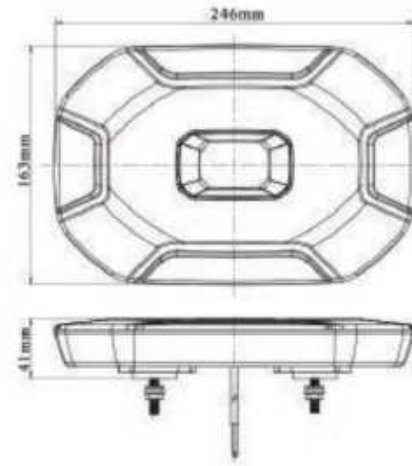
### FEATURES

- 12V or 10-30V operate voltage lightbar
- The led lightbar has 25 flash patterns
- Can be built-in takedown light, alley light, traffic arrow light
- Lifespan of up to 100,000hours
- The lightbar has Optional hand control boxes
- Max 15.4 A draw
- Five sizes for optional: 12", 23", 30", 40" and 48"
- can meet different vehicles requirements, like cars, vans, trucks, trailers, fire vehicles and ambulance vehicles.

ITEM	VOLTAGE	COLOR	FLASH PATTERN	LED	IP	MOUNTING	WIRE	APPROVAL
NV-Lway30	10-30V	Single color	25	60pcs x 3W	IP67	Magnetic Mount	3.5M Cables	/



## MINI BAR / ML10



Bracket Mount



4 Bolts Mount



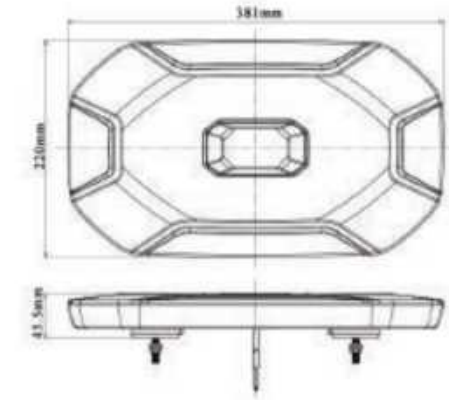
Magnets Mount

### FEATURES

- SAE J845 Class 1 and CISPR 25 Class3 Certified, virtually no RF/EMI radiation
- Strong polycarbonate cover and lens are all finely molded with streamline appearance.
- Innovative design with fewer components ensure stability during extended dwell time.
- 12 optional flash patterns and can be customized.
- 360° fully glowing surface with strong overall visual effects.

ITEM	VOLTAGE	COLOR	FLASH PATTERN	LED	IP	MOUNTING	WIRESV	APPROVAL
ML10	10-30V	Single color	12	40pcs x 1W	IP67	Magnetic Mount, Bracket Mount, 4Bolts Mount	2.5m Cables or 50cm wires	R65 and R10

## MINI BAR / ML15



Bracket Mount



4 Bolts Mount



Magnets Mount

### FEATURES

- SAE J845 Class 1 and CISPR 25 Class3 Certified, virtually no RF/EMI radiation
- Strong polycarbonate cover and lens are all finely molded with streamline appearance.
- Innovative design with fewer components ensure stability during extended dwell time.
- 12 optional flash patterns and can be customized.
- 360° fully glowing surface with strong overall visual effects.

ITEM	VOLTAGE	COLOR	FLASH PATTERN	LED	IP	MOUNTING	WIRE	APPROVAL
ML15	10-30V	Single color	12	92pcs x 0.5W	IP67	Magnetic Mount, Bracket	2.5m Cables or 50cm wires	R65 and R10

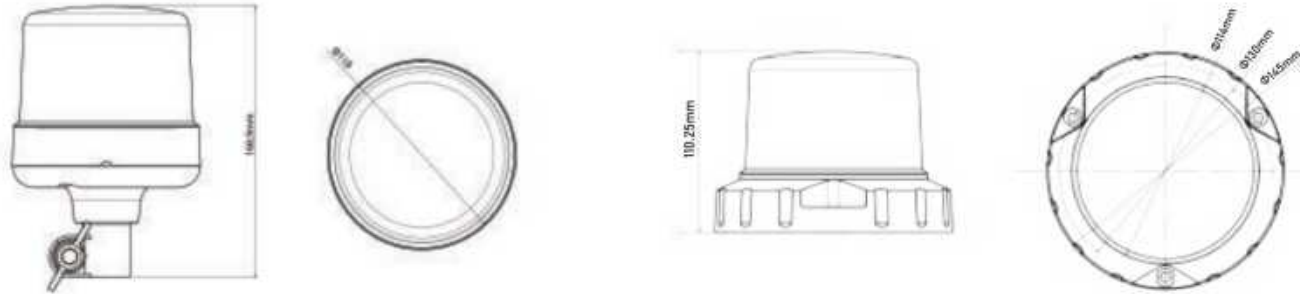




## BH18



### DIMENSION



### FEATURES

- 10-30V
- Available with Red, Blue, Amber and transparent lens
- Three mounting options, Permanent, Magnet, and Flexi-Din, which can be adjusted to 45 degree, with a light bumps are bearable
- High profile led beacon, suit for heavy duty vehicles, like construction vehicle, heavy duty vehicle, fire truck
- With ECE R65, R10

ITEM	VOLTAGE	COLOR	FLASH PATTERN	LED	IP	MOUNTING	WIRE	APPROVAL
BH18	10-30V	Single color	10	18pcs x 3W	IP67	Magnetic Mount, Permanent Mount, Flexi DIN Mount	2.5m Cables or 30cm wires	R65 and R10
BH18D		Dual color		36pcs x 3W				

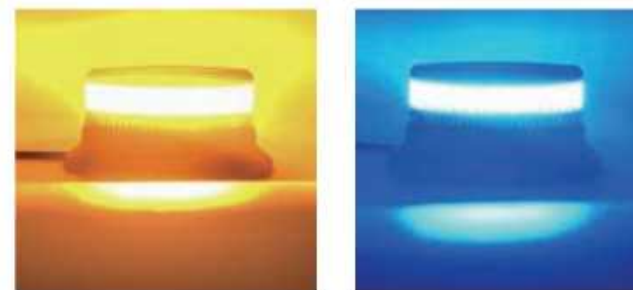
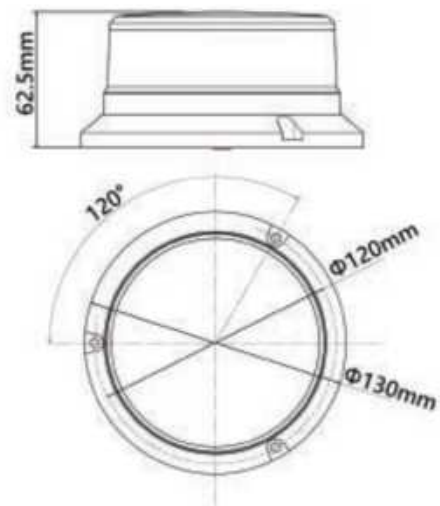




## B16



### DIMENSION



### FEATURES

- Dual color beacon, two colors can be controlled separately.
- Finely designed polycarbonate lens shape.
- 18pcs or 36pcs high-quality LEDs ensure consistent performance, extremely low current draw
- Fully encapsulated for moisture, vibration and corrosion resistance
- With 2 different mounting ways, included Permanent mount, strong magnet mount can pass 240km/h speed test.
- Suction cups and spiral cable is available

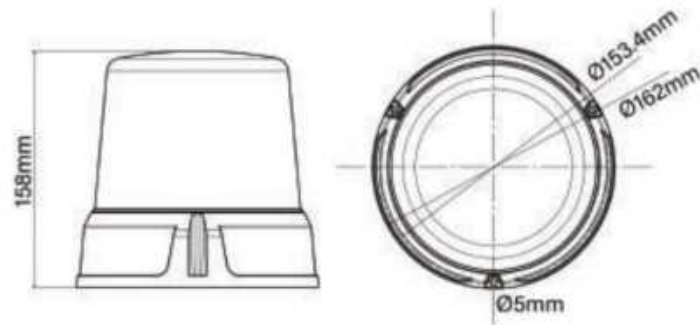
ITEM	VOLTAGE	COLOR	FLASH PATTERN	LED	IP	MOUNTING	WIRE	APPROVAL
B16	10-30V	Single color	10	18pcs x 3W	IP67	Magnetic Mount, Permanent Mount	2.5m Cables or 30cm wires	R65 and R10
B16D		Dual color		36pcs x 3W				



## BL18



### DIMENSION



### FEATURES

- 10-30V
- Dimension 158Hx162D mm
- Available with Red, Blue, Amber and transparent lens
- Three mounting options, Permanent, Magnetic base, DIN mount
- Special design for big vehicles, like construction vehicle, heavy duty vehicle, fire truck in Germany and France
- ECE R65 Class2, R10 in pending

ITEM	VOLTAGE	COLOR	FLASH PATTERN	LED	IP	MOUNTING	WIRE	APPROVAL
BL18	10-30V	Single color	10	18pcs x 3W	IP67	Magnetic Mount, Permanent Mount, Flexi DIN Mount	2.5m Cables or 30cm wires	R65 and R10

## BA18



### DIMENSION



### FEATURES

- Dual color beacon, two colors can be controlled separately.
- Finely designed polycarbonate lens shape.
- 18pcs or 36pcs high-quality LEDs ensure consistent performance, extremely low current draw
- Fully encapsulated for moisture, vibration and corrosion resistance
- Input Voltage: 10~30V
- LED: 18x3W or 36x3W
- Max. Power: 28 W
- Aluminum alloy base, more strong and powerful

ITEM	VOLTAGE	COLOR	FLASH PATTERN	LED	IP	MOUNTING	WIRE	APPROVAL
BA18	10-30V	Single color	10	18pcs x 3W	IP67	Permanent	30cm wires	R65 and R10



## HPSC SERIES



### DIMENSION



### FEATURES

- Provides a reliable, temporary vacuum mount, without drilling holes
- Rubber vacuum pad will not mark or damage most surfaces
- Attaches to flat or curved, smooth, nonporous surfaces
- Red-line indicator warns user of any vacuum loss
- Check valve allows re-pumping without loss of remaining vacuum
- Lift tabs on vacuum pad edges permit instant release
- Supplied with vacuum pad protector

MODEL	PAD DIAMETER	LOADING CAPACITY	IRON PLATE DIAMETER	MATERIAL	SCREW
HPSC series	4.5"/118mm	Vertical > 30kg Horizontal > 50kg	140mm	Rubber & plastic & metal	M6 M8 G1/4" G3/8" Customizable Screw

## B24



### FEATURES

- Finely designed polycarbonate lens shape with plastic base
- 36pcs high-quality LEDs ensure consistent performance, extremely low current draw
- Fully encapsulated for moisture, vibration and corrosion resistance
- With 3 different mounting ways, included permanent mount, magnet mount, pole mount
- Certificates: R65 XA2, XB2; R10
- Color Available: Blue/Amber/ Red/ White

ITEM	VOLTAGE	COLOR	FLASH PATTERN	LED	IP	MOUNTING	WIRE	APPROVAL
B24	10-30V	Single color	10	24pcs x 3W	IP66	Permanent Mount, Magnetic Mount, Flexi DIN Mount	2.5m Cables or 30cm wires	R65 and R10



## LED HIDEAWAY LIGHT HT4



### DIMENSION



### FEATURES

- Tiny and powerful lighthouse
- Finely designed polycarbonate lens shape
- 4pcs x 3W or 8 x3W high-quality LEDs ensure consistent performance
- Extremely low current draw
- Fully encapsulated for moisture, vibration and corrosion resistance
- With 2 different mounting ways, flush mount, and bracket mount
- With built-in flasher

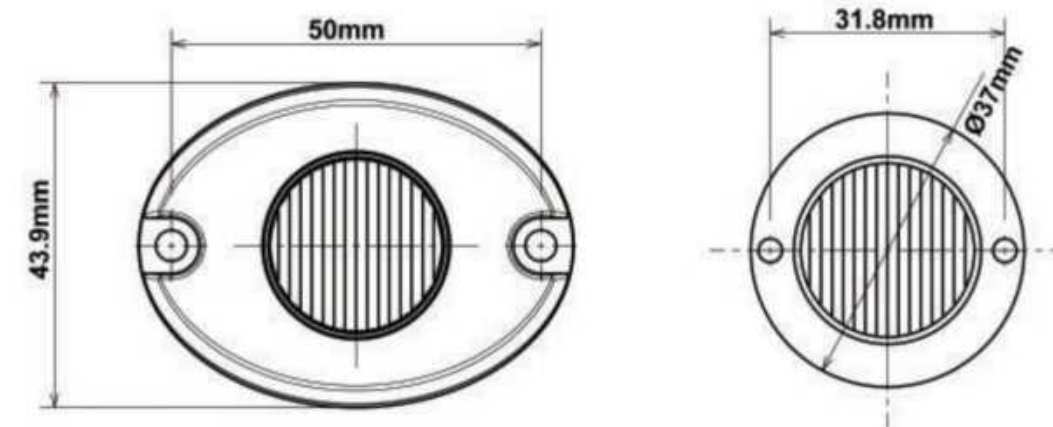
ITEM	VOLTAGE	COLOR	FLASH PATTERN	LED	IP	MOUNTING	WIRE	APPROVAL
NV-HT4	10-30V	Single color	12	4pcs x 3W	IP67	Flush Mount, Bracket Mount	20cm 4-core wires	R65 and R10
NV-HT4D		Dual color		8pcs x 3W				

## NV-HS4-S

External Flasher



### DIMENSION



ITEM	VOLTAGE	COLOR	FLASH PATTERN	LED	IP	MOUNTING	WIRE	APPROVAL
NV-HS4-S	10-30V	Single Head	12	4pcs x 3W	IP67	Screw Mount, Bezel Mount	2.5m cables	R65 and R10
NV-HS4-D		Dual Heads		8pcs x 3W				



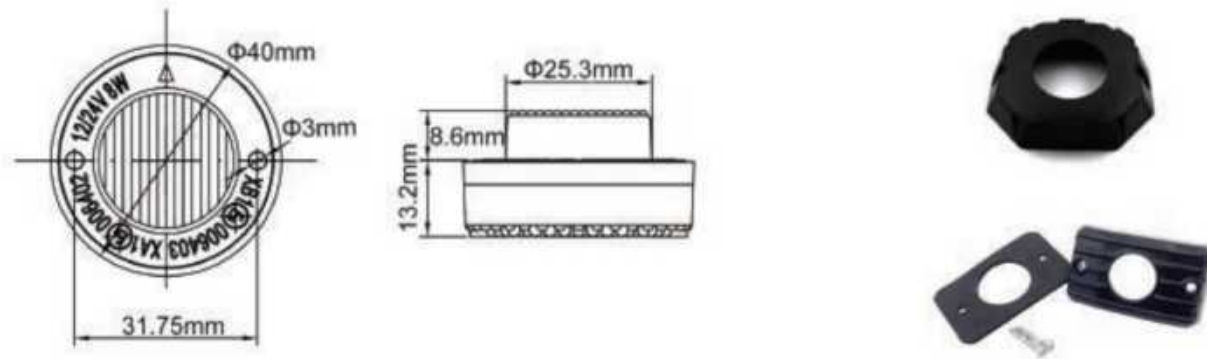
## HM4



## H8



### DIMENSION



### FEATURES

- Tiny and powerful lighthead
- Built in flasher - no external flasher needed
- 4pcs x 3W or 8 x3W high-quality LEDs ensure consistent performance
- Extremely low current draw
- Fully encapsulated for moisture, vibration and corrosion resistance
- With 2 different mounting ways, screw mount or mount with a bezel
- With built-in flasher

ITEM	VOLTAGE	COLOR	FLASH PATTERN	LED	IP	MOUNTING	WIRE	APPROVAL
NV-HM4	10-30V	Single color	12	4pcs x 3W	IP67	Screw Mount, Bezel Mount	20cm 4-core wires	R65 and R10
NV-HM4D		Dual color					20cm 5-core wires	
NV-H8		Single color /Dual color		8pcs x 3W			20cm 4-core wires	/

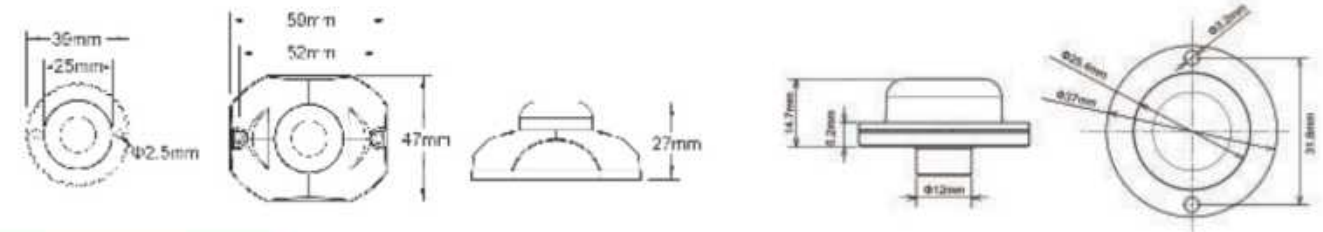
## NV-H12



## NV-H6



### DIMENSION



### FEATURES

- 12 or 10-30VDC
- CE approval
- Surface mount
- Comes with aluminum cover
- Dimension 39Dx20Hmm
- Waterproof: IP67
- Function: Single color or dual color
- With built-in flasher
- 10-30VDC
- CE approval
- Surface mount
- A bezel is available
- Dimension 37Dx15Hmm
- 130mm European universal screw hole
- With external flasher

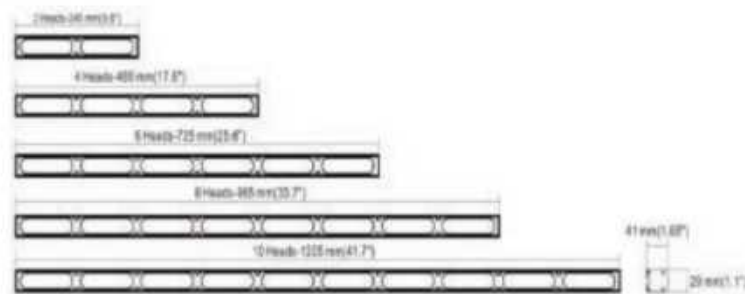
ITEM	VOLTAGE	COLOR	FLASH PATTERN	LED	IP	MOUNTING	WIRE	APPROVAL
NV-H12	10-30V	Single color	17	12pcs x 3W	IP67	Screw Mount, Bezel Mount	20cm 4-core wires	/
NV-H12D		Dual color						
NV-H6		Single color		6pcs x 3W				



## TA SERIES



### DIMENSION



### FEATURES

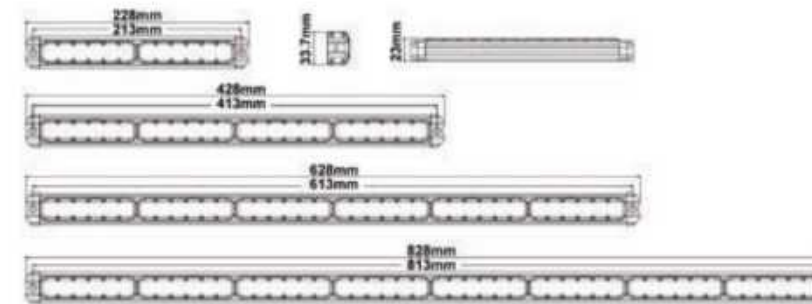
- Adopts high power LED as light source
- Available in single dual and triple color
- Waterproof interior or exterior mount
- TA series comes with 3wire cable( power, ground, pattern select)
- Bottom and rear T-slots allow for easy mounting via M3 bolt
- Side aluminum housing for efficient heat dissipation prolongs lifespan
- Sealed 06 heads for maximum reliability

ITEM	VOLTAGE	COLOR	FLASH PATTERN	LED	IP	MOUNTING	WIRE	APPROVAL
TA	10-30V	Single color	2-4modules: 20 >4modules:31	3W/LED	IP67	Permanent Mount, Bracket Mount	2.5m Cables	R65 and R10
		Dual color						

## TN SERIES



### DIMENSION



### FEATURES

- Adopts high power LED as light source
- Available in single and dual colors
- Waterproof interior or exterior mount
- TN series comes with 5wire cable( +, -, MODE, Dimming, Alternating)
- Surface mount or bracket mount for options
- Aluminum housing for efficient heat dissipation prolongs lifespan
- Sealed 2heads, 4heads, 6heads and 8heads for maximum reliability

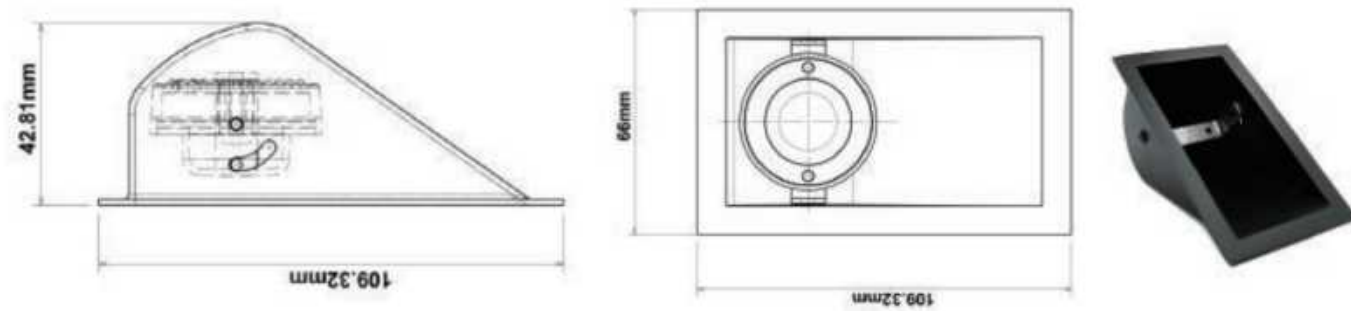
ITEM	VOLTAGE	COLOR	FLASH PATTERN	LED	IP	MOUNTING	WIRE	APPROVAL
TN	10-30V	Single color	20	3W/LED	IP67	Permanent	50cm Cables	R65 and R10



## VISOR LIGHT & WINDOW POD



### DIMENSION



### FEATURES

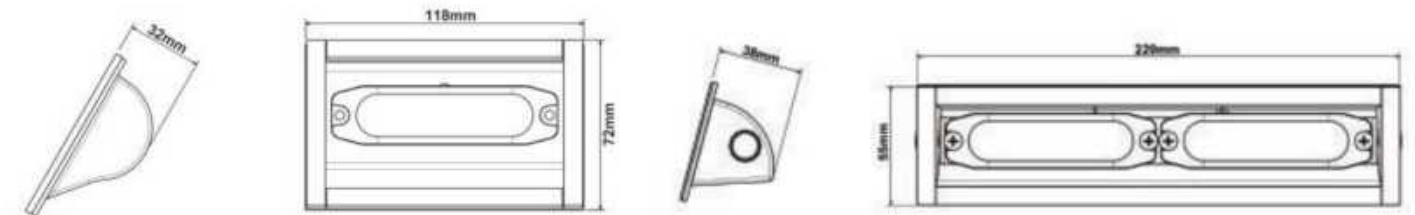
- HM4, H8 for your options to fix inside the window pods
- Input Voltage: 10~33V DC
- Max. Power: 12 W.
- Certificates: R65 XA1, XB1; R10
- Dimensions: 109mm x 66mm x42mm.
- Color Available: Blue/ Amber/ Red/ White/ Green
- Waterproof: IP67

ITEM	VOLTAGE	COLOR	FLASH PATTERN	LED	IP	MOUNTING	WIRE	APPROVAL
DM4	10-30V	Single color	20	4pcs x 3W	IP67	3M Mount	20cm wires	R65 and R10
		Dual color		8pcs x 3W				

## DF6



### DIMENSION



### FEATURES

- Visor Light
- Silicone optical lens F6 inside of window pods
- Certificates: R65 XA1, XB1; R10
- Dimensions: 118mm x 76mm x29mm.
- Color Available: Blue/ Amber/ Red/ White/ Green
- Waterproof: IP67

## DO4 & DO8



- 04 and F6 modules can be built-in
- The spare parts window pods is for your options
- Single color or Dual color
- The window pods can be available independently
- 3M mounting options anti-collision design

ITEM	VOLTAGE	COLOR	FLASH PATTERN	LED	IP	MOUNTING	WIRE	APPROVAL
DF6	10-30V	Single color Dual color	20	6pcs x 3W	IP67	3M Mount	20cm Wires or 2.5 cables with Cig plug	R65 and R10
DO4				4pcs x 3W				
DO8				8pcs x 3W				

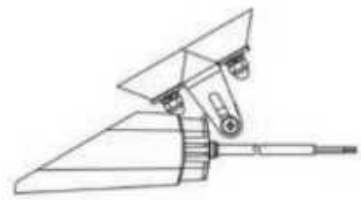




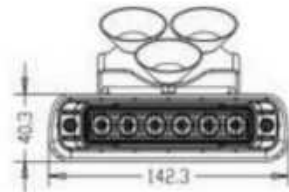
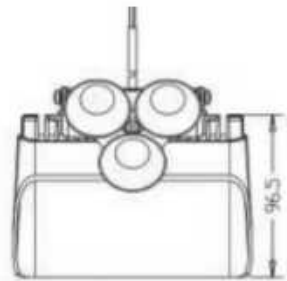
## DN6



### DIMENSION



Mounting, Suction Cups



### FEATURES

- 10-30VDC
- 6 x 3W LED
- 20 flash patterns
- ECE R65 and ECE R10 Certified
- Adjustable brackets, suitable for various applications
- Comes with 3pcs suction cups
- Single color
- IP67

ITEM	VOLTAGE	COLOR	FLASH PATTERN	LED	IP	MOUNTING	WIRE	APPROVAL
DN6	10-30V	Single color	20	6pcs x 3W	IP67	Suction Cup Mount	2.5m cables with Cig Plug	R65 and R10

## D6 & D12

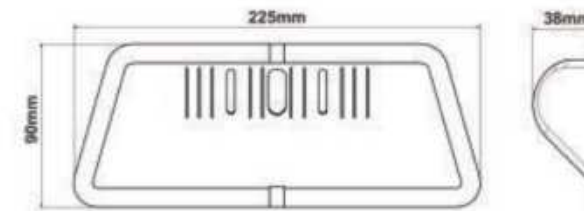


Double Modules

Single Module



### DIMENSION



### FEATURES

- 10-30VDC
- 6pcs or 12pcs 3W LEDs
- 20 flash patterns
- SAE J595, CA T13, ECE R65 and ECE R10 Certified
- Adjustable brackets, suitable for various applications
- Comes with suction cup or 3M tape
- Single Module or Double Module options
- IP67

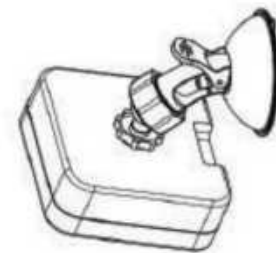
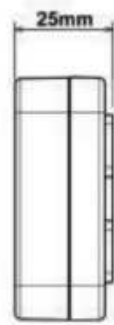
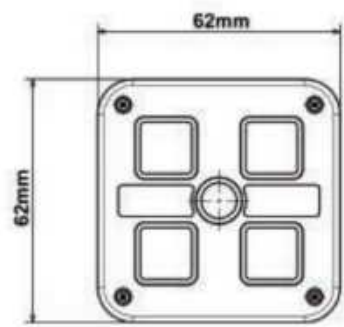
ITEM	VOLTAGE	MODULE	FLASH PATTERN	LED	IP	MOUNTING	WIRE	APPROVAL
D6	10-30V	Single Module	20	6pcs x 3W	IP67	3M Mount	2.5m Cable with Cig plug	R65 and R10
D12		Double Module		12pcs x 3W				



## SC5X



### DIMENSION



Bracket Mount or 3M Mount

### FEATURES

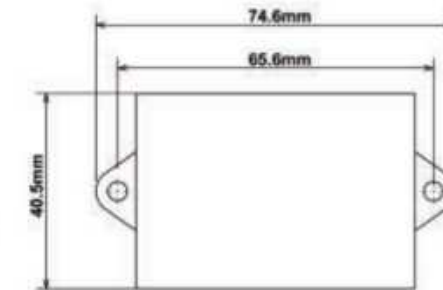
- 4 programmable momentary or On/Off buttons
- 18 selectable icon sticker to clearly label your panel
- 4x5Amp outputs
- Dual color LED background rubber buttons
- 1/4" thread stand screw hole for bracket mount.
- Master-Slaves function for your options
- IP67
- Two mounting brackets for your options

ITEM	VOLTAGE	MAX OUTPUT	FUSE	MOUNTING	DIMENSION	WIRE	APPROVAL
SC5X	10-30V	20A	5A for each switch	3M Mount, Bracket Mount	62x62x25mm	30cm Cables	R10

## AC-R2A



### DIMENSION



### FEATURES

- 10-30V blink device for side marker lamps
- Max Current 2A
- IP68, waterproof relay for side markers. Side markers flash synchronously with D.I.
- According to ECE R48, Rev. 6
- Applications: Heavy duty trucks and trailers, transportation vehicles
- Can be bespoke
- 1 unit per vehicle side, 2 units per vehicle

ITEM	VOLTAGE	MAX OUTPUT	IP	MOUNTING	DIMENSION	WIRE	APPROVAL
AC-R2A	10-30V	2A	IP68	Screw Mount	75x41x22mm	30cm Cables	R10 in pending



## NV-SR100RD



### FEATURES

- Monolithic integrated circuit in steadier performance
- Tone characteristic: Aux, Yelp, Hi-lo, Wail-1, wail-2, Siren, Horn, Super-siren. Yelp relay
- Can control the siren, lightbar and expanded lights.
- Comes with handhold controller
- Voice enlarges: Speaker sensitivity 50mv, output volume can be adjusted.
- Support the external triggering function of steering wheel.
- Have the media amplifier function.
- Warning sound volume adjustable.
- Tones are ready to be customised.
- Unique and scientific design, perfect function, convenience for operation, safely and reliably

ITEM	VOLTAGE	POWER	IMPEDANCE	FUNCTION	DIMENSION	LIGHT SWITCHES	APPROVAL
NV-SR100RD	12/24V	100W	8Ω /11Ω	Police, Fire, Ambulance, Wrecker, Project	200x108x48mm	3	CE, RoSH

## NW-SR100SD



### DIMENSION



ITEM	VOLTAGE	POWER	IMPEDANCE	FUNCTION	DIMENSION	LIGHT SWITCHES	APPROVAL
NV-SR100SD	12/24V	100W/200W	8Ω /11Ω	Wail1, Wail2, Yelp, Hi-Lo, Wa.Wa, Horn, Siren	160x116x50mm	3	/



NV-SR100AD	
L*W*H(MM)	194 x 155 x 57
VOLTAGE	DC12V
POWER	100W/200W
IMPEDANCE	8Ω /11Ω
DISTORTION/ SOUND	Yelp, Hi-lo, Wail-1, Wail-2, Manual
LIGHT SWITCHES	2



NV-SR100VD	
L*W*H(MM)	120 x123 x 54
VOLTAGE	DC12V
POWER	100W
IMPEDANCE	8Ω /11Ω
DISTORTION/ SOUND	Horn, Siren,Yelp,Wail-2, Wail, Hi-Lo,Wail-3
LIGHT SWITCHES	2



NV-SP100-2	
L*W*H(MM)	182 x 135 x 175
FREQUENCY	400-4000Hz
POWER	100W
IMPEDANCE	8Ω
SOUND DISTORTION	≤5%
SOUND COMPRESSION LEVEL	120-130db



NV-SP100-1	
L*W*H(MM)	205 x 173 x 132
FREQUENCY	400-4000Hz
POWER	100W/200W
IMPEDANCE	8Ω
SOUND DISTORTION	≤5%
SOUND COMPRESSION LEVEL	120-130db



NV-SP100-9	
L*W*H(MM)	166 x 150 x 146
FREQUENCY	400-4000Hz
POWER	100W
IMPEDANCE	4Ω/6Ω/8Ω
SOUND DISTORTION	≤5%
SOUND COMPRESSION LEVEL	120-130db



NV-SP200	
L*W*H(MM)	215 x 189 x 118
FREQUENCY	300-4600Hz
POWER	200W
IMPEDANCE	4Ω/6Ω/8Ω
SOUND DISTORTION	≤5%
SOUND COMPRESSION LEVEL	120-130db



NV-S100-2	
L*W*H(MM)	192 x172 x 87
FREQUENCY	400-4000Hz
POWER	100W
IMPEDANCE	8Ω /11Ω
SOUND DISTORTION	≤5%
SOUND COMPRESSION LEVEL	120-130dB



SP100-3B	
L*W*H(MM)	145 x 138 x 52
FREQUENCY	400-4000Hz
POWER	100W
IMPEDANCE	4Ω/6Ω/8Ω/11Ω
SOUND DISTORTION	≤5%
SOUND COMPRESSION LEVEL	120-130db



## LED WORK LIGHT

—

02



## EW36



## NW-S40



## NW-C1



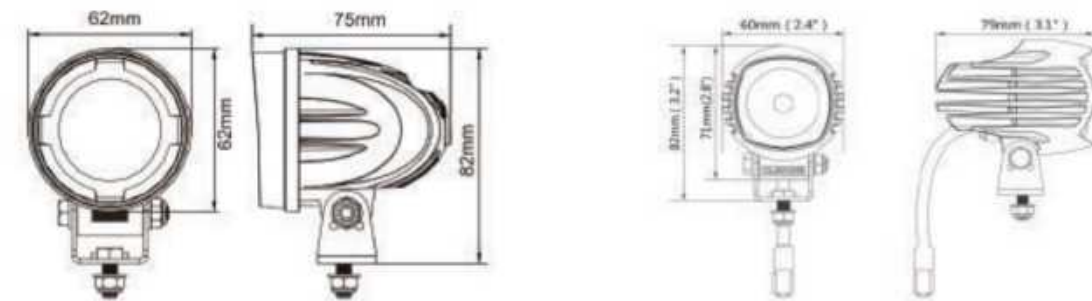
## NW-CB1



### DIMENSION



### DIMENSION



### FEATURES

- Flood light NW36 are designed for all vehicles 12V/24V.
- They are used as on-road/off-road trucks driving lights, scene lights or tractors working lights
- Aluminum housing guarantees excellent heat dissipation.
- The updated sealing design ensures it's IP68 waterproof
- High transparency PC lens and silica gel cable ensure the pod lights work perfectly from -40 to 80 Celsius degrees on automobiles and heavy-duties
- Heated len (Snow- melting) & dimmable function for options
- Self-owned triangle type anti-vibration bracket, it guarantees uniform illumination of the work area for tractors and large machines
- High rigidity tempered glass len, better weather and shock resistance

### FEATURES

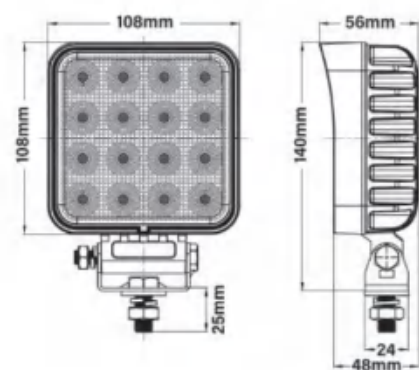
- All new screwless and glueless watertight design
- Small size, high power, cost-effective
- Racing style design perfect match motorcycle, ATV/UTV, Skidoo, e-bike, etc

ITEM	LED	COLOR TEMP	RAW LUM	MAX POWER	IP	VOLTAGE	WORKING TEMPERATURE	DIMENSION
EW36	18x2W LED	6000K	3200lm	36W	IP68	10-32V	-40~+85°C	102x125x40mm
NW-E40	4x10W LED		4800lm	40W				

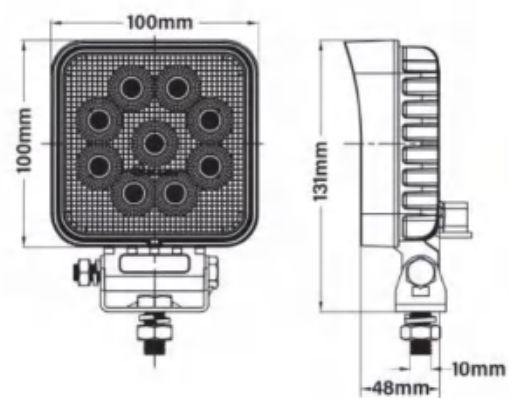
ITEM	LED	COLOR TEMP	RAW LUM	MAX POWER	IP	VOLTAGE	DIMENSION	WORKING TEMPERATURE
NW-C1	10W LED	6000K	900lm	10W	IP68	10-32V	62x62x75mm	-40~80°C
NW-CB1	15W or 10W LED		1650lm	15W/10W			60x60x79mm	



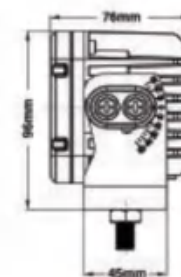
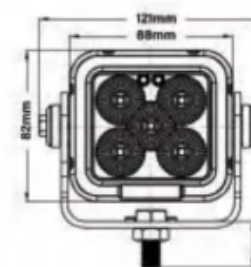
## NW-C48



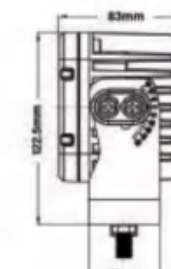
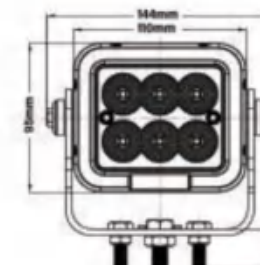
## NW-C36



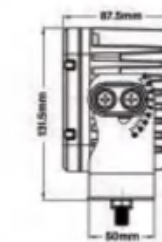
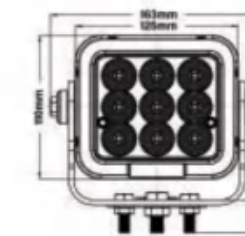
## NW-FM50



## NW-FM60



## NW-FM90



### FEATURES

- Flood Offroad Led Light, the durable LED work light is waterproof and shock-resistant
- Super Bright – 4 inch square Led Trailers Light with 16pcsx3w High intensity led
- High Performance – Our 5.5 inch led pods have about 50,000hrs lifetime with IP67 rated Waterproof/-dustproof/quakeproof, anti-corrosion
- This LED work light is suitable for jeep, reversing, off-road vehicle, automobile, motorcycle, ATV, UTV, SUV, truck, trailer, forklift, train, boat, bus, street car, sand track and other lights

ITEM	LED	COLOR TEMP	RAW LUM	MAX POWER	IP	VOLTAGE	DIMENSION	WORKING TEMPERATURE
NW-C48	16 X 3W LED	6000K	3600lm	48W	IP68	10-32V	108X108X56mm	-40-80°C
NW-C36	9 X 4W LED		1800lm	36W			100X100X56mm	

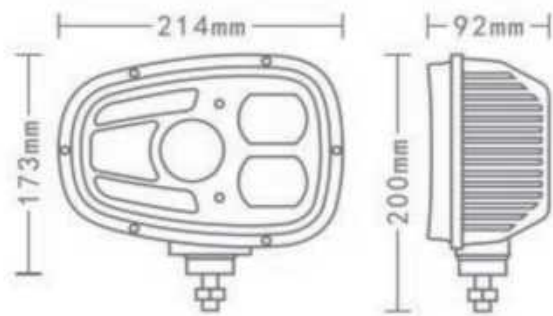
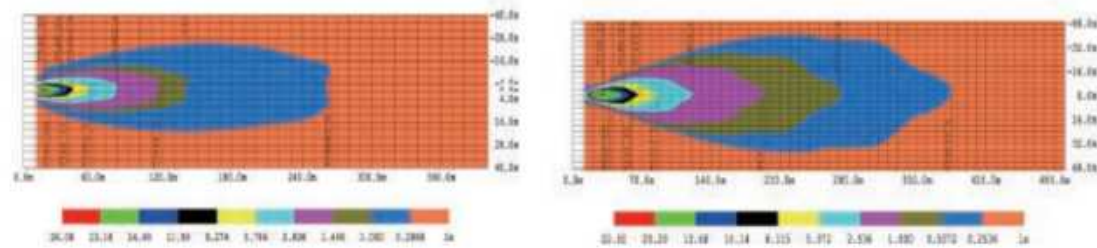
### FEATURES

- Using the OSRAM 10w cool white LEDs
- LED reversing work light application for bucket-wheel

ITEM	LED	COLOR TEMP	RAW LUM	MAX POWER	IP	VOLTAGE	DIMENSION	WORKING TEMPERATURE
NW-FM50	5 X 10W LED	5300-5700K	4250lm	48W	IP68	10-32V	108X108X56mm	-40-80°C
NW-FM60	6 X 10W LED		5100lm	36W			144X95X83mm	
NW-FM90	9 X 10W LED		8360lm	36W			163X110X87.5mm	



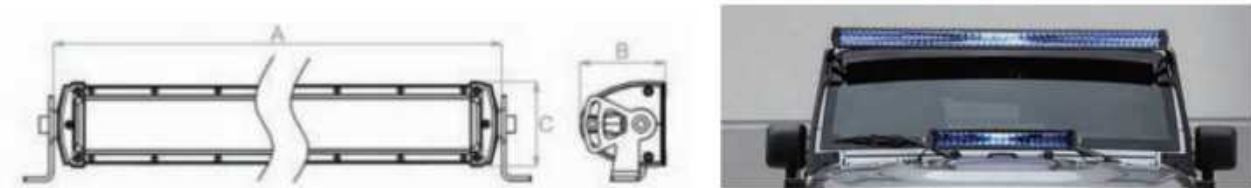
## NW-HL



- 1** — Pin1&6 White Wire: Negatives
- 2** — Pin2 Black Wire: Turning light
- 3** — Pin3 Blue Wire: Position Light
- 4** — Pin4 Red Wire: Spot Light + Heatable
- 5** — Pin5 Brown Wire: Flood Beam+Heatable

ITEM	HIGH BEAM/ SPOT	LOW BEAM/ FLOOD	TURNING LIGHT	POSITION LIGHT	IP	VOLTAGE	DIMENSION	WORKING TEMPERATURE
NW-HL	66W (3 x22W LED) 1500lm	22W (1 x22W LED) 850lm	8W (8 x1W LED)	1.6W (8 x0.2W LED)	IP67, IP69K	10-32V	214 x92 x173mm	-40-80°C

## NW-TD SERIES



### FEATURES

- Double Row Side Emitting LED lightbar
- Input Voltage: DC10-30V
- Output Power: 36W -300W
- Luminance: 2700-27000lm
- Color Temp: 5000K or 6000K
- Led: OSRAM LEDSX3W
- Less than 5% lumens depreciation in 30,000hrs

ITEM	POWER	LUMENS	ANGLE	LEDS	SIZE(A*B*C)
NW-TD8	36W	2700	20°60°	12PCS X 3W	213X83.6X82.9 8"
NW-TD14	72W	5400		24PCS X 3W	366X83.6X82.9 14"
NW-TD22	120W	10800		40PCS X 3W	570X83.6X82.9 22"
NW-TD32	180W	16200		60PCS X 3W	825X83.6X82.9 32"
NW-TD42	240W	21600		80PCS X 3W	1080X83.6X82.9 42"
NW-TD50	288W	25920		96PCS X 3W	1284X83.6X82.9 50"
NW-TD52	300W	27000		100PCS X 3W	1335X83.6X82.9 52"

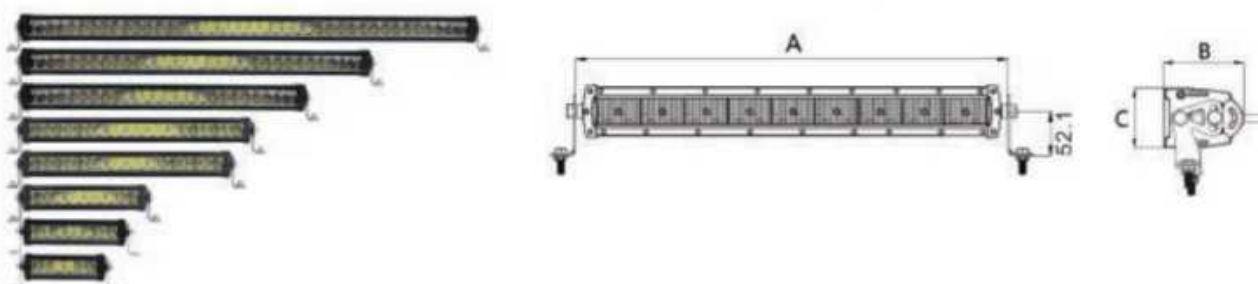




## NW-TF SERIES



SIDE STAND



### FEATURES

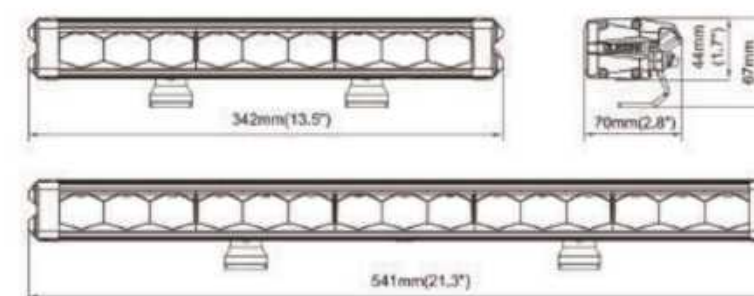
- Single Row Side Emitting LED lightbar
- Input Voltage: DC10-32V
- Output Power: 30W -300W
- Luminance: 2500-30000lm
- Color Temp: 5000K or 6000K
- Led: CREE XTE 5W/ CREE XML 10W
- Less than 5% lumens depreciation in 30,000hrs

ITEM	POWER	LUMENS	ANGLE	LEDS	SIZE(A*B*C)
NW-TF8	30W/60W	2448/6000	20°60°	6PCS 5W/10W	206.2x85x63.1 8.1"
NW-TF10	40W/80W	3090/8000		8PCS 5W/10W	258.2x85x63.1 10.2"
NW-TF12	50W/100W	3500/10000		10PCS 5W/10W	206.2x85x63.1 12.2"
NW-TF14	60W/120W	5084/12000		12PCS 5W/10W	206.2x85x63.1 14.3"
NW-TF18	80W/160W	5600/16000		16PCS 5W/10W	206.2x85x63.1 18.4"
NW-TF20	90W/180W	6300/18000		18PCS 5W/10W	206.2x85x63.1 20.4"
NW-TF23	100W/200W	7000/20000		20PCS 5W/10W	206.2x85x63.1 22.5"
NW-TF27	120W/240W	8400/24000		24PCS 5W/10W	206.2x85x63.1 26.5"
NW-TF33	150W/300W	10500/30000		30PCS 5W/10W	206.2x85x63.1 32.7"

## NW-NNE



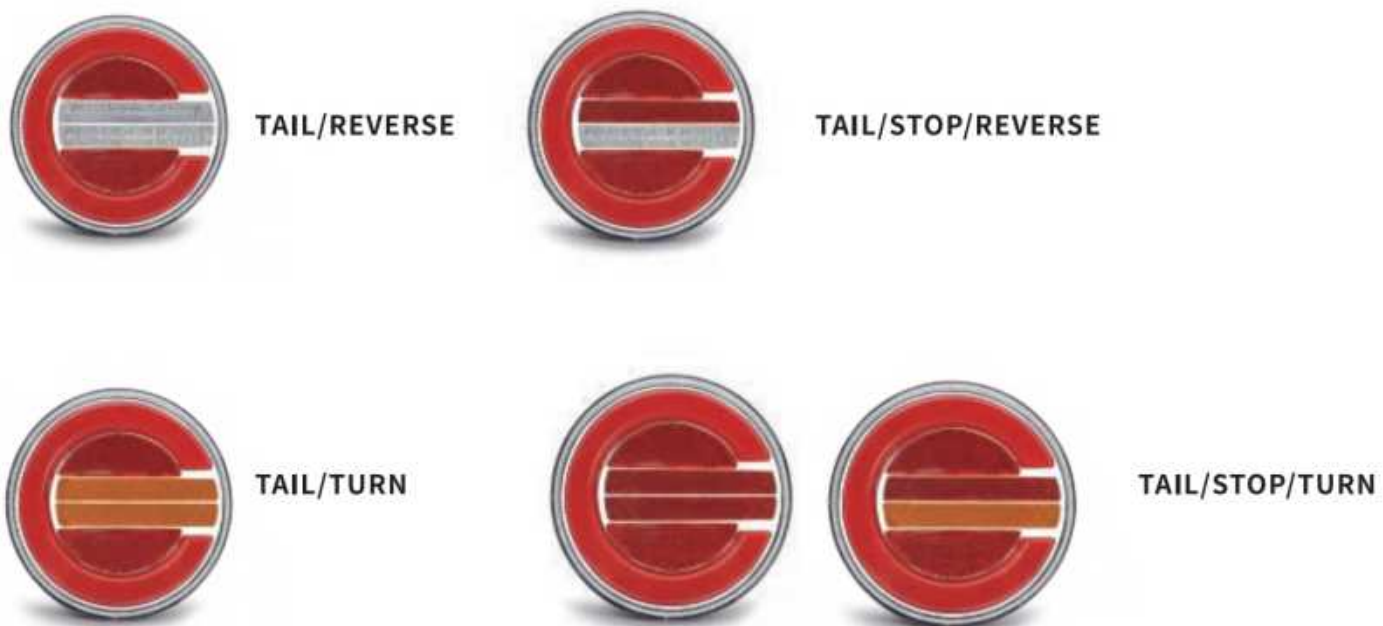
### DIMENSION



### FEATURES

- The most advanced reflector technology on the market.
- No edge design lens and black reflector have a modern look.
- 4500K or 6000K colour temperature, has been optimised to be easy on the eye. This gives a whole new level of driving comfort without compromising design.
- Blue sidecover for options.

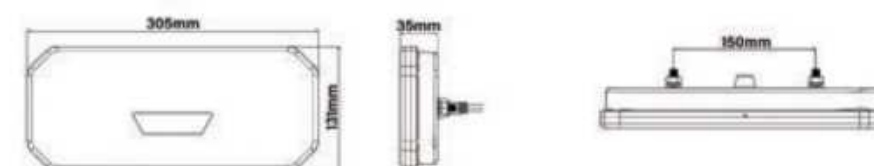
ITEM	SIZE	POWER	RAW LUMEN	VOLTAGE	IP	WORKING TEMPERATURE
NW-NNE13	13"	10W*9	9000lm	10-32V	IP69K	-40-80°C
NW-NNE21	21"	10W*15	15000lm			



## ■ NS-TL012



### DIMENSION



### FEATURES

- Multifunctional Rear Combination Light
- 10-30V
- Functions: Dynamic indicator/Stop/Rear position/ License/Reflector/Fog/Reverse
- IP67
- ECE R3, R6, R7, R23, R38, R10
- Dimension, 305x140x35mm



ITEM	FUNCTION	LED/POWER	IP	VOLTAGE	DIMENSION	CERTIFICATION
NS-TL010	Tail/Stop/Reverse	Tail: 1.2W Stop: 2.2W Dynamic Indicator: 4.4W Reverse: 3.5W	IP67	10-30V	140mm diameter	E9 approval
NS-TL011E	Tail/Stop/Turn					
NS-TL011U	Tail/Stop/Turn					

ITEM	VOLTAGE	FUNCTION	MOUNT	IP	CERTIFICATION	DIMENSION
NS-TL012	10-30V	STT, reversing, fog, licence light	Screw Mount	IP67	ECE R6, R7, R3, R38, R10	305x140x35mm



## LED Side Marker



M43



M9986



M9985



M7



M44



M9989

ITEM	COLOR	POWER	VOLTAGE	LEDS	SIZE(A*B*C)
M43	Amber	3pcs x 1W	12-24V	3W	Φ26.8(3/4Inch)x23
M9985		4pcs x 1W		4W	50.6x14.9x21.7
M44		4pcs x 1W		4W	44.2x18.5x22
M9989		3pcs x 1W		3W	66.5x11x10.8
M9986		4pcs x 1W		4W	87.7x16x14.8
M7		3pcs x 1W		12V	3W

## WIRELESS TRAILER LIGHT



## WIRE TRAILER LIGHT KITS



### FEATURES

- 12V or 12-24V
- Wire or wireless trailer light for your options
- Suitable for trailers or truck vehicles
- EU Plug wiring configurations and vehicles fitted with a 7-pin or 13-pin plug towing trailers.
- European Plug or Australia plug for your options.
- Functions: brake lights, rear turn signal lights, rear position lights, license plate lights, and return reflectors
- CE, RF, EMC, Rohs, Healthy report Compliant



# AUXILIARY LIGHT

—

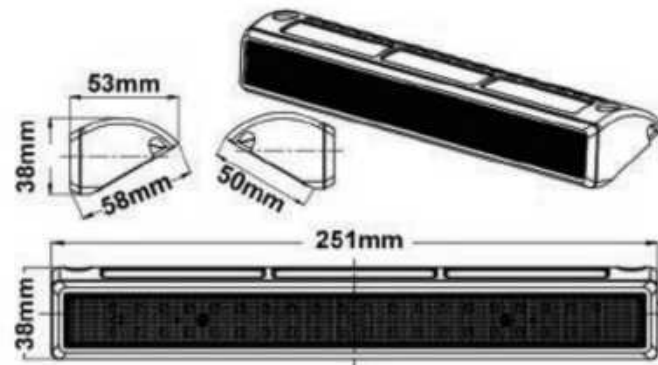
# 03



## NW-L40



### DIMENSION



### FEATURES

- Powerful LED, be more brighter
- 10-30V multi-voltage, suit for Bus, heavy duty vehicles
- Can be bespoke in red and black aluminum housing
- Side mount, side work light
- R10 approval

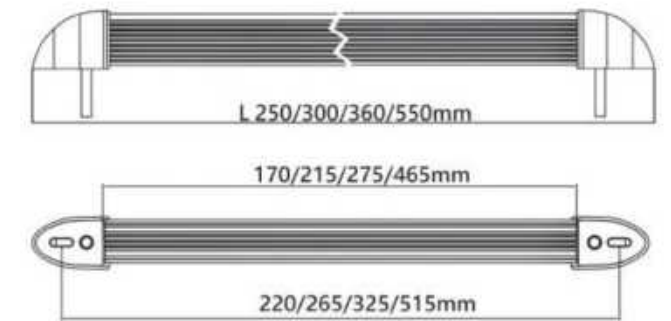
ITEM	POWER	LED	VOLTAGE	LUMEN	DIMENSION	IP
NW-L40	27W	40pcs x 1W LED	10-30V	2500lm	251X38X53MM	IP67

## CARAVAN LIGHT



DUAL COLOR

ANY DISASSEMBLY



### FEATURES

- Special designed with a 60 degree downcast illumination
- Single color or Dual color LED light option
- Aluminum casing + PC cover
- Simple surface mount installation. Two end side screw plugs are provided to cover the screw holes.
- 10-30V multi-voltage suit for Bus, heavy duty vehicles
- Waterproof: IP67
- Function: Single color or dual color
- 130mm European universal screw hole

ITEM	LENGTH	POWER	LUMINOUS	VOLTAGE	COLOR TEMP	BODY COLOR	COVER
NW-LC	250mm	1.2W	120LM	10-30V	2700-6500K	Black or White	Clear or Frosted
	300mm	2W	200LM				
	360mm	3.6W	290LM				
	550mm	7W	600LM				



## VEHICLE CEILING LIGHT



NA-ILS150



NA-ILS095



### FEATURES

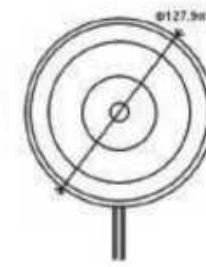
- With low profile touch switch controller.
- Ultra thin design can fit your vehicle better.
- And a linear dimming, Non-stop
- With memory function which can recall the last action.
- Waterproof: IP67
- Function: Single color or dual color
- 130mm European universal screw hole

ITEM	VOLTAGE	POWER	COLOR	CONTROL	IP	LAMP HOUSING	DIMENSION
NA-ILS150	10-30V	4.5W	4500K/ 5500K/6500K	1Touch switch with dimnable control	IP67	white or silver	Φ150 x 11 mm
NA-ILS095		2W					Φ95 x 11 mm

## NA-ILS01R



### DIMENSION



### FEATURES

- Available with single color or dual color
- With Low profile and Aluminum Alloy Housing.
- High Bright LED light & Non-Flickering Lighting
- Low energy consumption & overall water proof IP67
- Suitable for all kinds of boat, Motorhome ,caravan and RV, etc.

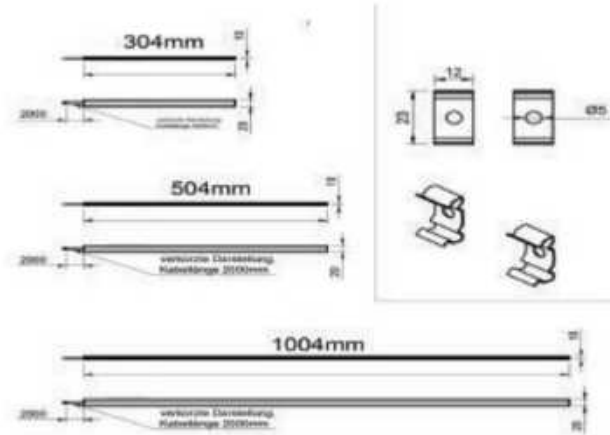
ITEM	VOLTAGE	POWER	COLOR	CONTROL	IP	LAMP HOUSING	DIMENSION
NA-ILS01R	10-30V	6.5W	4500K/ 5500K/ 6500K	Touch switch Sensor switch Without switch	IP67	white or black	Φ128X16mm



## NSLP SERIES



CLEAR SILICONE WATERPROOF  
OR MILKY SILICONE WATERPROOF



ITEM	VOLTAGE	WATTAGE	LIGHT COLOR	IP	LUMINOUS	CABLE	LED CHIPS	MOUNTING	DIMENSION
NSLP30	10-30V	Max 4W	4500K, 5000K, 6000K	IP67	400lm	1m or 2m Cables	SMD2835	Clip Mount	304x20x10mm
NSLP50		Max 6W			600lm				504x20x10mm
NSLP100		Max 12W			1200lm				1004x20x10mm

## NSLD SERIES



DUAL COLOR  
SINGLE COLOR



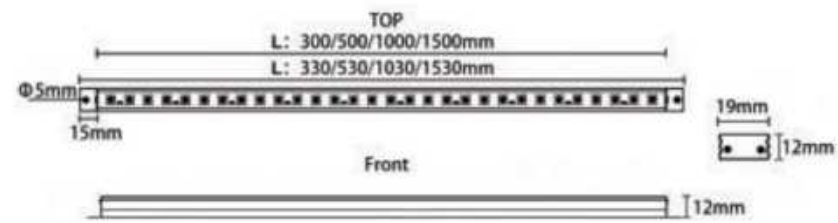
ITEM	VOLTAGE	WATTAGE	LIGHT COLO	IP	LUMINOUS	CABLE	LED CHIPS	MOUNTING	DIMENSION
NSLD20	10-16V or 24-30V	3W	4000K	IP67	300lm	1m or 2m Cables	SMD5050	Clip Mount, Magnetic Mount, Sew Mount	200x18.5x11.5mm
NSLD50		8W	5000K		800lm				500x18.5x11.5mm
NSLD100		17W	6000K		1700lm				1000x18.5x11.5mm
NSLD150		25W			2500lm				1500x18.5x11.5mm



## NSVP SERIES



### DIMENSION



ITEM	VOLTAGE	WATTAGE	LIGHT COLOR	IP	LUMINOUS	CABLE	LED CHIPS	MOUNTING	DIMENSION
NSVP30	10-16V or 24-30V	4Max 7.2W	4500K	IP67	420lm	1m or 2m Cables	SMD5050	Clip Mount, ScREW Mount	300x19x12mm
NSVP50		Max 7.2W	5000K		800lm				500x19x12mm
NSVP100		Max 14.5W	6000K		1500lm				1000x19x12mm
NSVP150		Max 21.6W			2200lm				1500x19x12mm

## SPARE PARTS







## ECE

The United Nations Economic Commission for Europe (UNECE) Transport Division has been providing secretariat services to the World Forum for Harmonization of Vehicle Regulations for more than 50 years. ECE is a quality mark that shows that your vehicle or product complies with EC guidelines. The EC directives can be understood as the legislation of the European Union.

## ECE R65

ECE R65 is a developed standard in the EU that affects warning and emergency light. This covers several different characteristics that a warning light has. Such as light image, color, intensity and frequency. This applies to 360° radiant light as well as directed warning light. For approval, all minimum requirements must be met. This approval is a requirement for products for use as warning light on vehicles.

**Class I** ECE R65 is also divided into two different classes. Class I is the standard for night mode.

**Class II** Class II is the standard for day- and night mode. The equipment needs to be able to switch in order to meet the requirements.

## R10

ECE-R 10 is a type of approval for electrical systems on vehicles and means that the lighting does not cause interference with other electrical equipment.

## SAE

SAE International (SAE), formerly the Society of Automotive Engineers, is a professional organization for mobility engineering professionals in the aerospace, automotive, and commercial vehicle industries. The Society is a standards development organization for the engineering of powered vehicles of all kinds, including cars, trucks, boats, aircraft, and others. The SAE standards are mainly used in the US and Canada and do not recognize ECE approvals

## IP67

IP stands for 'International Protection Rating' and indicates whether a product is dust and waterproof. IP67 means completely dust-tight and immersion-proof to a depth of 1 meter for up to 30 minutes.



## IP68

IP stands for 'International Protection Rating' and indicates whether a product is dust and waterproof. IP68 means completely dustproof and waterproof to depths of more than 1 meter and longer than 30 minutes.

## IP69K

IP stands for 'International Protection Rating' and indicates whether a product is dust and waterproof. IP-69K means completely dust-tight, waterproof, moisture-proof and high-pressure spray resistant.

## CISPR 25

CISPR 25 Class5 is a classification for components designed to have the lowest level of electromagnetic emissions so that systems function properly without interference.

## R7

ECE-R7 is a regulation for daytime running lights. ECE-R7 certified lighting may be officially used as daytime running lights if installed and connected correctly.

## R112

ECE-R112 is a regulation for high beams. ECE-R112 certified lighting may officially be used as high beam if properly installed and connected.

## R148

ECE-R148 is an overarching new regulation and follows, among others, R7. ECE-R148 certified lighting may be officially used as daytime running lights if installed and connected correctly.

## R149

ECE-R149 is an overarching new regulation and follows, among others, R112. ECE-R149 certified lighting may officially be used as high beam if installed and connected correctly.

