

2023

NOVA Product Brochure



Your Automotive Lighting Partner

Email: info@novavehicle.com

Tel/Wechat/WhatsApp: 086-15088415393

Office Add.: The North of Tiantong Road 1539#, YinZhou, Ningbo

Manufacturer Add.: 6th floor, Mingguang Road 2529#, JiangShan, Yinzhou, Ningbo

www.novavehicle.com



WARNING LIGHT

Your Automotive Lighting Solution Partner





ABOUT US

Ningbo Nova Technology Co;Ltd is one of professional Emergency Warning Light Manufacturer and has been specialized in Automotive Vehicle Lighting industry over 16years. Innovation serves as our guiding star at Nova Vehicle, propelling us to the forefront of progress. Our aim is continuing cater to evolving needs.

With a keen focus on collaboration, we offer OEM and ODM services to both the aftermarket and Original Equipment Manufacturers. Our mission is to be more than just a supplier; we aspire to be your reliable partner in progress.

■ Design and Manufacturer

We focus on R&D and have a senior engineer team including optical engineer, structure engineer, electronic engineer, each employee has more than 10 years working experience in the automotive field.

■ OEM and ODM Service

We have rich experience in OEM and ODM service. No matter how big of your project, modify a bezel or bespoke a new light, NOVA will give you a budget line and a high-end line solution, NOVA is a reliable partner that you can trust.

■ Completely Vehicle Lighting Solution

We offer completely vehicle lighting solution for all of our clients. Help to create a vehicle lighting procurement chain to reduce comprehensive procurement costs, establish win-win relationships which all parties are mutually beneficial.

■ To be Your Office, not Only a Supplier

NingBo NOVA Vehicle is looking to establish a strong partnership in the warning lights industry. We are not only a supplier, but wants to be your reliable partner and an extension office in China.

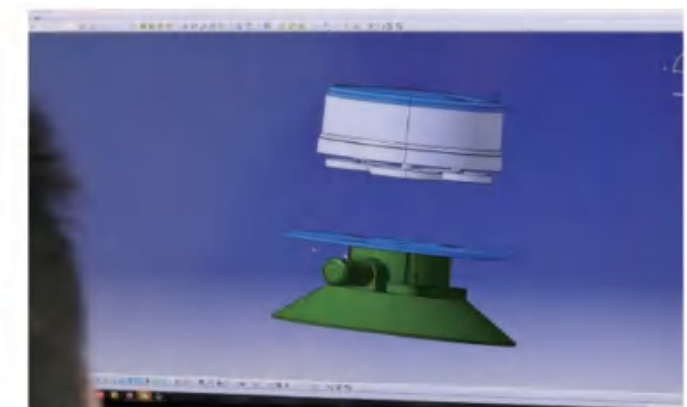
OUR FACTORY



TEAM BUILDING



R&D TEAM





QUALITY CONTROL

IN-HOUSE & OUTSIDE APPLICATION TEST



Optical Integrating Machine



Hi-LowTemp. Machine



Anti-Dust Machine

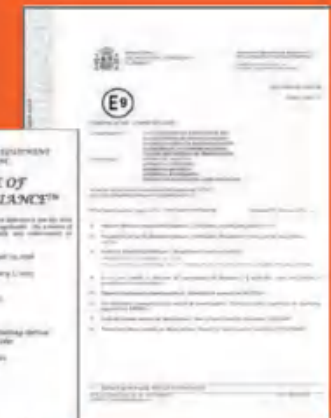
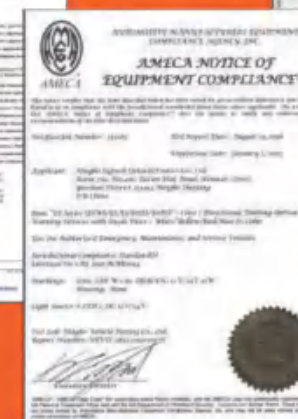
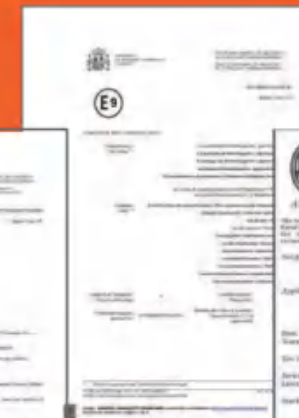
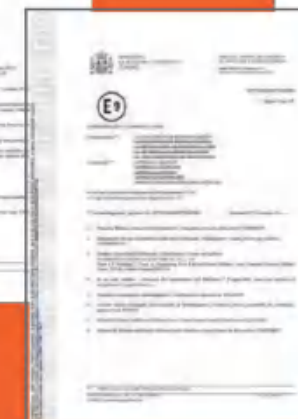
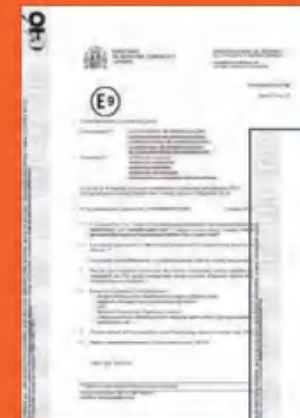


Waterproof Machine



Salty-Corrison Machine

ECE R65, CISPER 25, R10, SAE, CE, ROHS, R23, R148





LED WARNING LIGHT

—

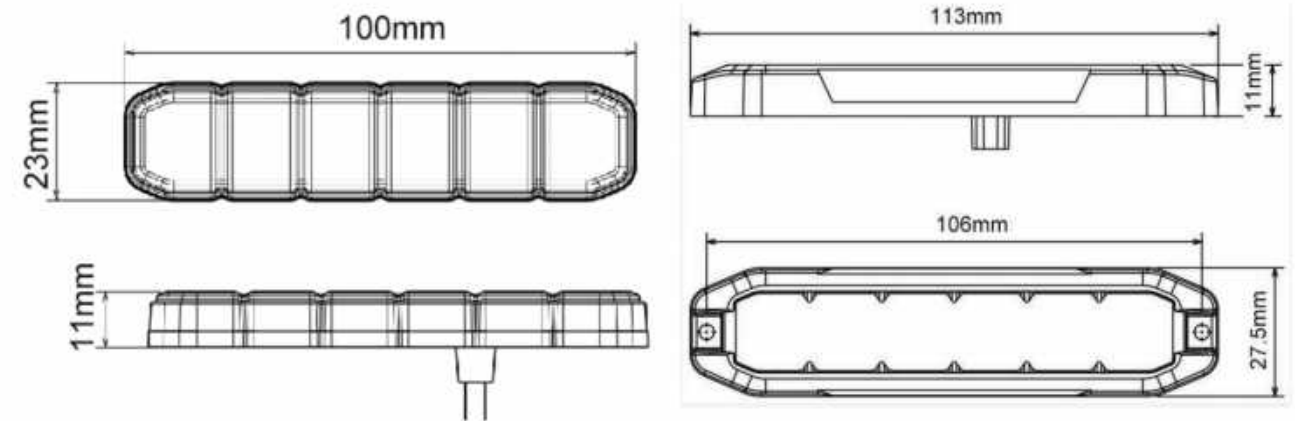
01



SILICONE BENDABLE LED LIGHTHEAD F6



DIMENSION



FEATURES

- Special application on flat or curved surfaces with 3M VHB tape
- Dimension, with bezel 113x27.5x11mm, without bezel 100x23x10mm
- Available in single color and dual color
- It can bend up to 120 degree
- 3M or surface mount
- ECE R65 Class1, R10

ITEM	VOLTAGE	COLOR	FLASH PATTERN	LED	IP	MOUNTING	WIRE	APPROVAL
F6	10-30V DC	Single color	20	6pcs x 3W	IP68	3M Mount, Bezel Mount	20cm - 4core wires	R65,R10, SAE
F6D		Dual color	12	12pcs x 3W			20cm - 5core wires	



SILICONE OPTICAL LENS F6 PRO



DOW SILICONE LENS

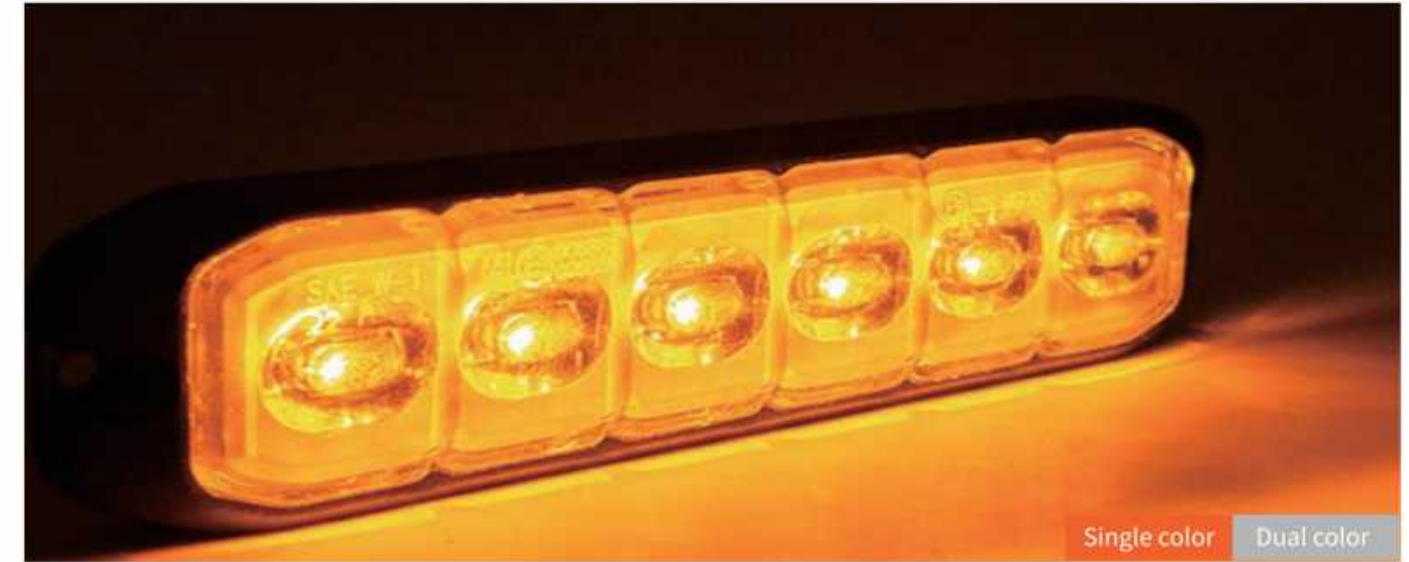


Scratch Resistant & Temperature Resistant
Anti-UV & Anti-Shock



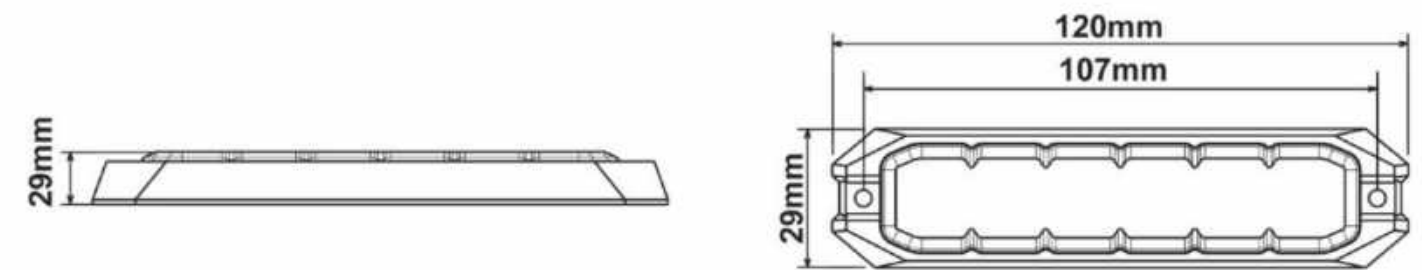
ALUMINUM BASE

Excellent in Heat Dissipation
Powerful and Stronger



IMPORTED LED MORE BRIGHTNESS

DIMENSION



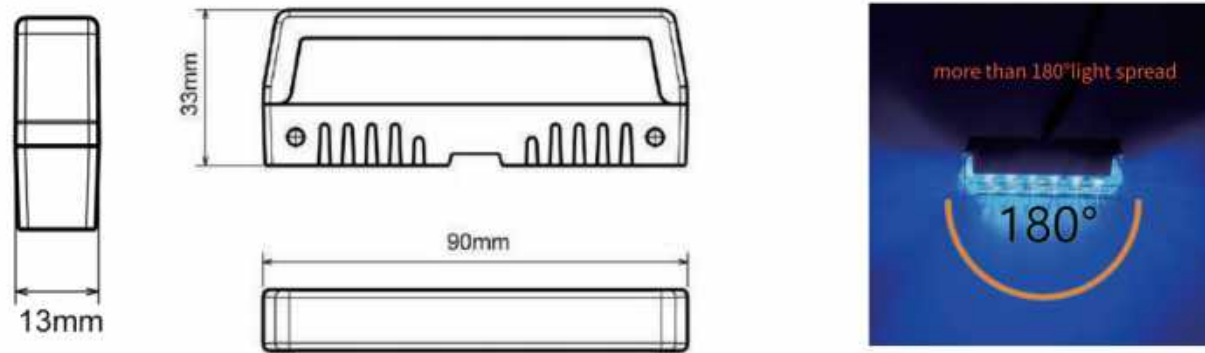
ITEM	VOLTAGE	COLOR	FLASH PATTERN	LED	IP	MOUNTING	WIRE	APPROVAL
F6 Pro	10-30V DC	Single color	20	6pcs x 3W	IP68	Screw mount	20cm 5-core wires	R65,R10, SAE
F6D Pro		Dual color	12	12pcs x 3W			20cm 6-core wires	



NR180



DIMENSION



FEATURES

- Ultra Slim design
- Wide beam angle 180-degree
- Available in Single color or Dual color
- 50% power steady on functions available
- Built-in 20 selectable flash patterns with Pattern Memory
- Aluminum base for efficient heat dissipation
- UV-resistant PC
- Multiple mount options



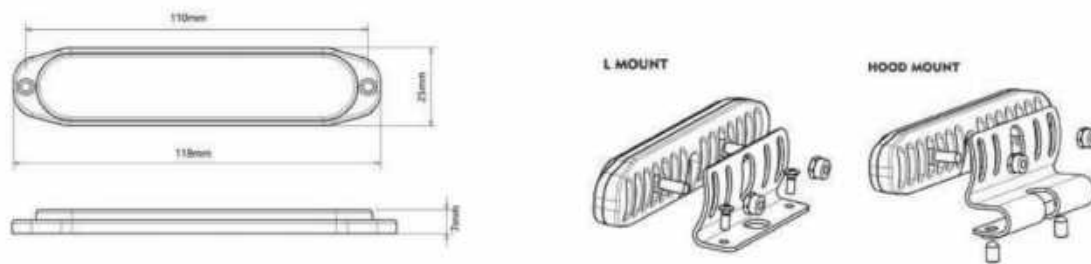
ITEM	VOLTAGE	COLOR	FLASH PATTERN	LED	IP	MOUNTING	WIRE	APPROVAL
NR180	10-30V DC	Single color	20	12pcs x 3W	IP68	3M Mount, Screw Mount, Offset Mount	20cm -5core wires	R65,R10
NR180D		Dual color	12	18pcs x 3W			20cm -6core wires	



06



DIMENSION



FEATURES

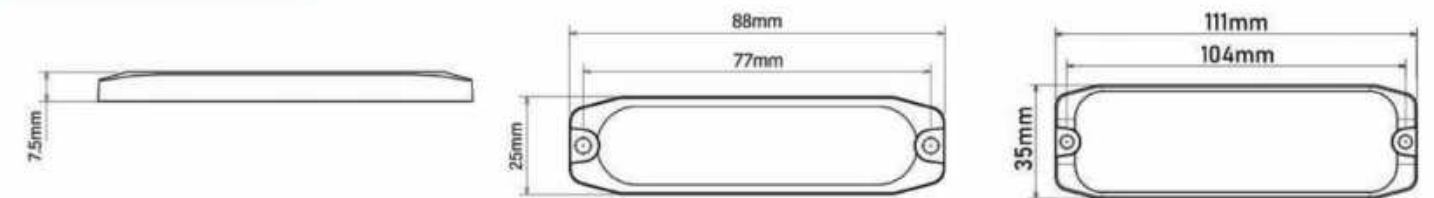
- Ultra-slim body, only 7mm high
- Finely designed polycarbonate lens shape produces uncompromising illumination
- 6pcs high-quality LEDs ensure consistent performance, extremely low current draw
- Aluminum die-cast housing provides excellent heat dissipation
- Fully encapsulated for moisture, vibration and corrosion resistance
- Single color, Dual color and Triple color
- ECE R10(EMC), ECE R65 Class2 and SAE J595 Class1

ITEM	VOLTAGE	COLOR	FLASH PATTERN	LED	IP	MOUNTING	WIRE	APPROVAL
06	10-30V DC	Single color	20	6pcs x 3W	IP68	Screw Mount 3M Mount Bezel Mount	20cm 5-core wires	R65, R10, SAE
06D		Dual color	12	12pcs x 3W			20cm 6-core wires	
06T		Triple color	12	18pcs x 3W				

0 SERIES



DIMENSION



FEATURES

- Ultra-slim body, only 7.5mm high
- Finely designed polycarbonate lens shape produces uncompromising illumination
- 3pcs/4pcs/12pcs high-quality LEDs ensure consistent performance, extremely low current draw
- Aluminum die-cast housing provides excellent heat dissipation
- Fully encapsulated for moisture, vibration and corrosion resistance
- ECE R10(EMC), ECE R65 Class1 and SAE J595 Class1

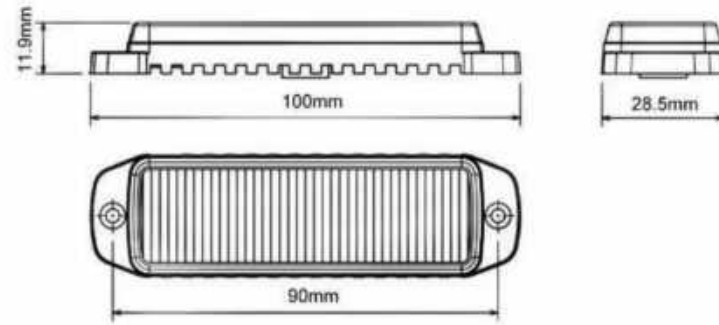
ITEM	VOLTAGE	COLOR	FLASH PATTERN	LED	IP	MOUNTING	WIRE	APPROVAL
03	10-30V DC	Single color	20	3pcs x 3W	IP67	Screw Mount 3M Mount	20cm 4-core wires	R10
04				4pcs x 3W				R65, R10
012				12pcs x 3W		Screw mount		R65, R10



NL6



DIMENSION



FEATURES

- Strong and compact design
- Excellent optical design make the light can meet ECE R65, R10 certificate
- 4pcs or 6pcs high-quality LEDs ensure consistent performance, extremely low current draw
- Aluminum die-cast housing provides excellent heat dissipation
- Single color and can be design in dual color

ITEM	VOLTAGE	COLOR	FLASH PATTERN	LED	IP	MOUNTING	WIRE	APPROVAL
NL6	10-30V DC	Single color	20	6pcs x 3W	IP67	Screw mount	5-core wires	Meet R65, R10

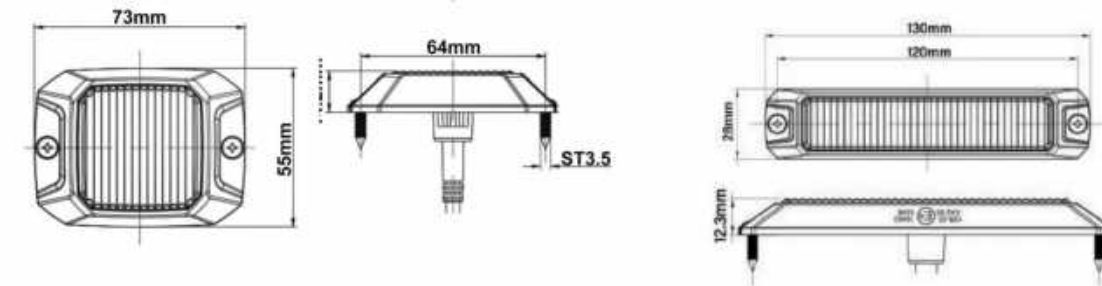
S4



S6



DIMENSION



FEATURES

- Strong and compact design
- Excellent optical design make the light can meet ECE R65, R10 certificate
- 6pcs high-quality LEDs ensure consistent performance, extremely low current draw
- Aluminum die-cast housing provides excellent heat dissipation
- Single color and can be design in dual color

ITEM	VOLTAGE	COLOR	FLASH PATTERN	LED	IP	MOUNTING	WIRE	APPROVAL
S4	10-30V DC	Single color	12	4 X 3pcs LED	IP67	Surface mount	20cm 4-core wires	R65,R10, SAE, T13
S6				6 X 3W LED				



SH4

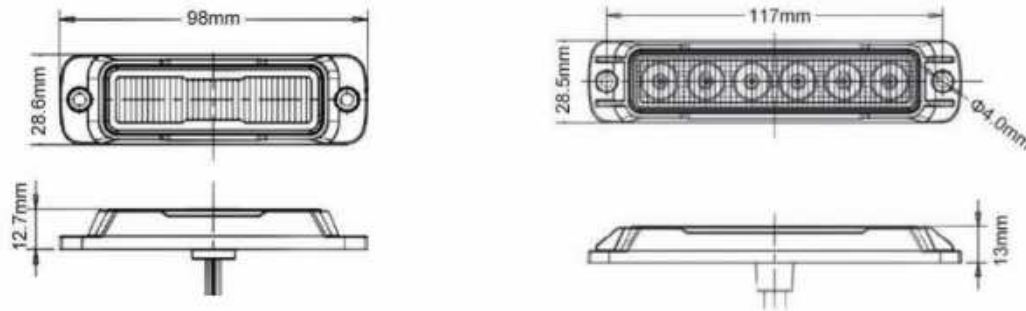


R65 FOR VERTICAL MOUNT
R65 FOR HORIZONTAL MOUNT

SH6



DIMENSION



FEATURES

- Ultra-slim body, only 13mm high
- Finely designed polycarbonate lens shape produces uncompromising illumination
- high-quality LEDs ensure consistent performance, extremely low current
- Aluminum die-cast housing provides excellent heat dissipation
- Fully encapsulated for moisture, vibration and corrosion resistance
- Faster and easier surface mounting via two screws
- ECE R10(EMC), ECE R65 and SAE J595 Class1 Certified
- With horizontal or vertical mount, R65 certificate separately

ITEM	VOLTAGE	COLOR	FLASH PATTERNS	LED	IP	MOUNTING	WIRE	APPROVAL
SH4	10-30V DC	Single color	20	4 X 3W	IP67	Surface Mount	20cm 4-core wires	R65,R10, SAE
SH6				6 X 3W				

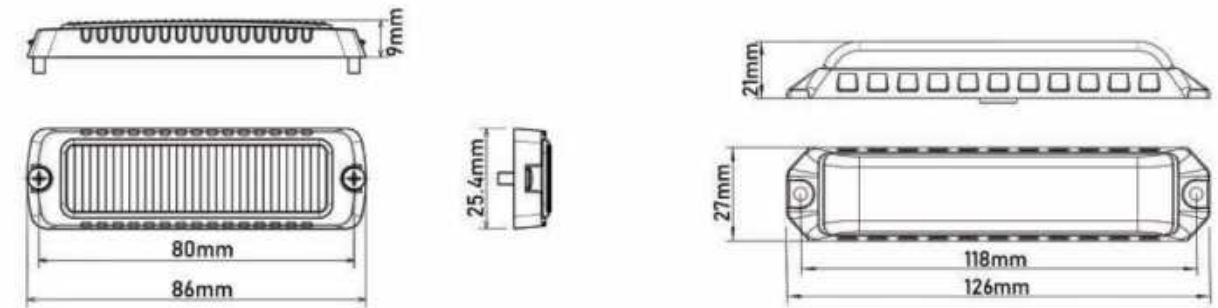
T3



V6



DIMENSION



FEATURES

- Tiny and powerful lighthouse.
- Finely designed polycarbonate lens shape
- 3W high-quality LED ensure consistent performance, extremely low current draw
- Fully encapsulated for moisture, vibration and corrosion resistance
- With 2 different mounting ways, included screw and 3M tapemount
- Aluminum alloy base, UV-resistant PC Multi-functional wire
- Powered by 10-30V
- High intensity LED; Single or dual color are available
- 17 Flash Patterns with Pattern Memory 180° light spread model
- ECE R65 approval for V6

ITEM	VOLTAGE	COLOR	FLASH PATTERN	LED	IP	MOUNTING	WIRE	APPROVAL
T3	10-30V DC	Single color	20	4pcs x 3W	IP67	Screw Mount	20cm 4-core wires	R65, R10, SAE
V6			28	6pcs x 3W				
V6D			38	12pcs x 3W			20cm 5-core wires	



SL6



SL4



SF3



SF4



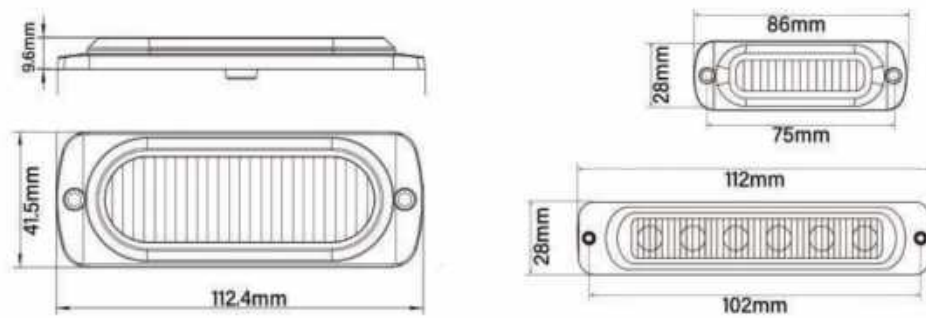
SL12



SF6



DIMENSION

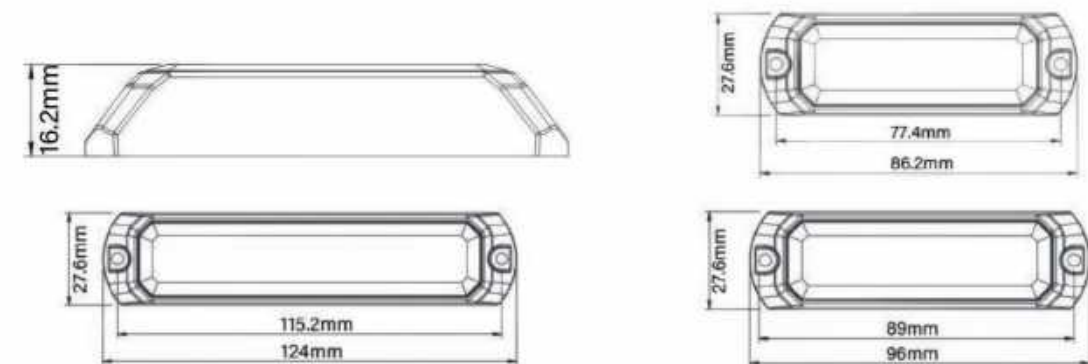


FEATURES

- Finely designed polycarbonate lens shape produces uncompromising illumination
- 4, 6, 12pcs high-quality LEDs ensure consistent performance, extremely low current draw
- Aluminum die-cast housing provides excellent heat dissipation
- Fully encapsulated for moisture, vibration and corrosion resistance
- Faster and easier surface mounting via two screws

ITEM	VOLTAGE	COLOR	FLASH PATTERN	LED	IP	MOUNTING	WIRE	APPROVAL
SL4	10-30V DC	Single color	19	4pcs x 3W	IP67	Surface mount	20cm 4-core wires	/
SL6				6pcs x 3W				
SL12				12pcs x 3W				

DIMENSION



FEATURES

- Finely designed polycarbonate lens shape produces uncompromising illumination
- High-quality LEDs ensure consistent performance, extremely low current draw
- Aluminum die-cast housing provides excellent heat dissipation
- Fully encapsulated for moisture, vibration and corrosion resistance
- Faster and easier surface mounting via two screws

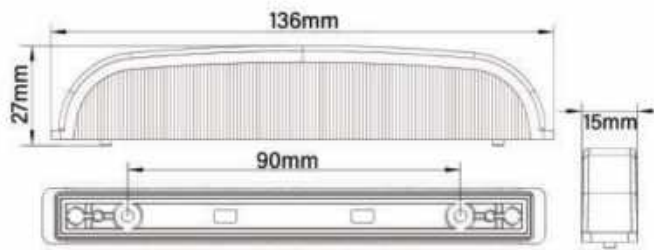
ITEM	VOLTAGE	COLOR	FLASH PATTERN	LED	IP	MOUNTING	WIRE	APPROVAL
SF3	10-30V	Single color	16	3pcs x 3W	IP67	Surface mount	20cm 4-core wires	CE/RoHS
SF4				4pcs x 3W				
SF6				6pcs x 3W				



B9



DIMENSION



FEATURES

- Ultra-slim body, only 15mm high, suitable for grille mount
- Finely designed polycarbonate lens shape produces uncompromising illumination
- 9pcs high-quality LEDs, available in single color and dual color
- 180 degree wide-angle brightness
- Fully encapsulated for moisture, vibration and corrosion resistance
- Comes with bracket

ITEM	VOLTAGE	COLOR	FLASH PATTERN	LED	IP	MOUNTING	WIRE	APPROVAL
B9	10-30V DC	Single color	19	9 X 3W LED	IP67	Screw Mount, Bracket Mount	20cm 5-core wires	/
B9D		Dual color	38	18 X 3W LED			20cm 6-core wires	

NW-FW



FEATURES

- A flexible and waterproof warning light designed to mark the stand, but can be used anywhere on vehicles and machines
- A simple and tool-free mounting with two cable ties that ensure a stable mounting.
- The length is available with 19cm 24cm 34cm
- The standard voltage is 12V, can be bespoke to 10-30V

APPLICATION IN HEAVY MACHINE

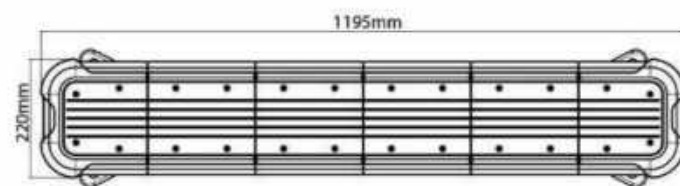
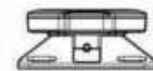




NV-LB



DIMENSION



FEATURES

- Ultra-slim body, available with 20", 32", 40", 48", 56", 64", 72"
- Available with amber lens and clear lens. Finely designed polycarbonate lens shape produces uncompromising illumination
- 3W high-quality LEDs ensure consistent performance, extremely low current draw
- Aluminum die-cast base provides excellent heat dissipation
- Fully encapsulated for moisture, vibration and corrosion resistance
- Available with Controller

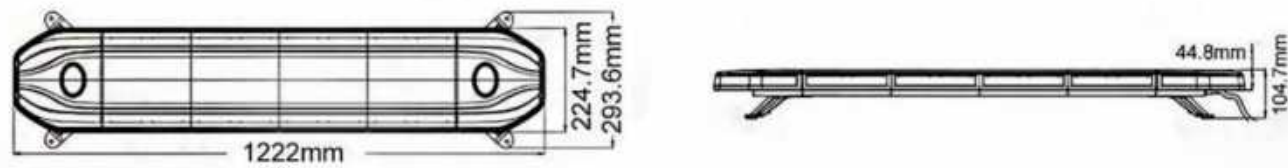
ITEM	VOLTAGE	COLOR	FLASH PATTERN	LED	IP	MOUNTING	WIRE	APPROVAL
NV-LB48	10-30V	Single color	25	150pcs x 3W	IP67	Magnetic Mount, Permanent Mount	5m Cables	R65 and R10 in pending
		Dual color	40	300pcs x 3W				



NVL-TL



DIMENSION



FEATURES

- Ultra-slim body, available with 20", 32", 40", 48", 56", 64", 72"
- Available with amber lens and clear lens. Finely designed polycarbonate lens shape produces uncompromising illumination
- 1W high-quality LEDs ensure consistent performance, extremely low current draw
- Aluminum die-cast base provides excellent heat dissipation
- Fully encapsulated for moisture, vibration and corrosion resistance
- Available with wireless Controller or wire Controller

ITEM	VOLTAGE	COLOR	FLASH PATTERN	LED	IP	MOUNTING	WIRE	APPROVAL
NV-TL48	10-30V	Single color	10	126pcs x 3W	IP67	Permanent Mount	5m Cables	R65 and R10

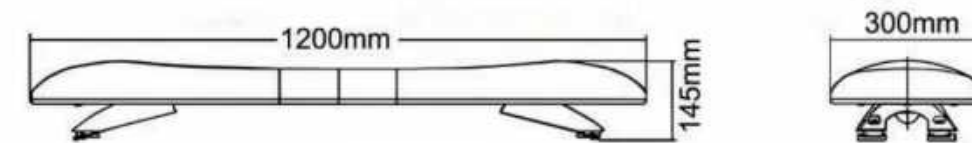
COMB-48



COMB-S48



DIMENSION



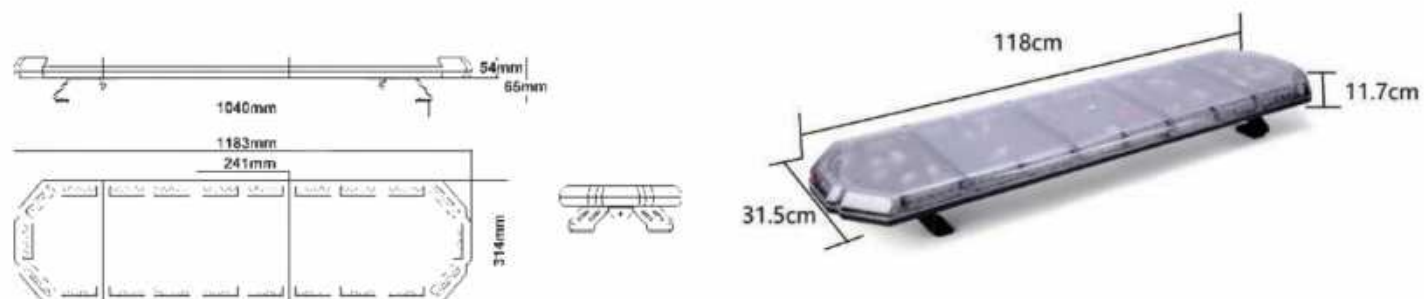
FEATURES

- Available with 25", 30", 42", 48", 60", 72"
- Clear lens or colored lens is for options
- Aluminum die-cast base provides excellent heat dissipation
- Fully encapsulated for moisture, vibration and corrosion resistance
- With 100W speaker for option

ITEM	VOLTAGE	COLOR	FLASH PATTERN	LED	IP	MOUNTING	WIRE	APPROVAL
Comb-S48	12/24V DC	Single color	13	60pcs x 3W	IP66	Permanent Mount	5m Cables	/
Comb-48				72pcs x 3W				



NV-LH



TWO OPTICAL OPTIONS

TIR optical



LINEAR optical



FEATURES

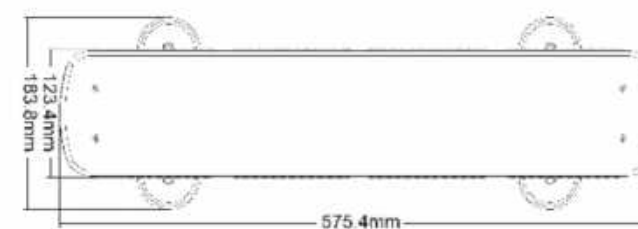
- Powerful 3W led for high brightness design
- Aluminum base with PC lens cover
- Available with TIR or LINEAR lens optional
- 10/30V feature high lighting performance
- Available in 3leds and 4leds modules
- 3 length options: 18", 27", 46.5"
- Easy assembly and afterservice

ITEM	VOLTAGE	COLOR	FLASH PATTERNS	LED	IP	MOUNTING	WIRE	APPROVAL
NV-LH46	10-30V DC	Single color	25	84pcs x 3W	IP66	Permanent Mount	5m Cables	R65 and R10
NV-LH46D		Dual color		168pcs x 3W				

NV-LWAY30



DIMENSION



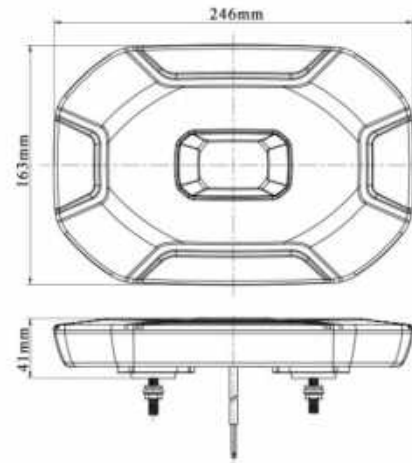
FEATURES

- 12V or 10-30V operate voltage lightbar
- The led lightbar has 25 flash patterns
- Can be built-in takedown light, alley light, traffic arrow light
- Lifespan of up to 100,000hours
- The lightbar has Optional hand control boxes
- Max 15.4 A draw
- Five sizes for optional: 12", 23", 30", 40" and 48"
- can meet different vehicles requirements, like cars, vans, trucks, trailers, fire vehicles and ambulance vehicles.

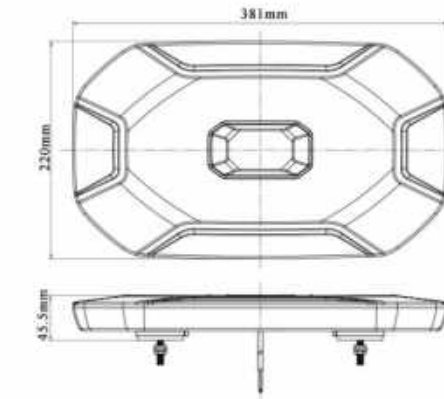
ITEM	VOLTAGE	COLOR	FLASH PATTERN	LED	IP	MOUNTING	WIRE	APPROVAL
NV-Lway30	10-30V	Single color	25	60pcs x 3W	IP67	Magnetic Mount	3.5M Cables	/



MINI BAR / ML10



MINI BAR / ML15



FEATURES

- SAE J845 Class 1 and CISPR 25 Class3 Certified, virtually no RFI/EMI radiation
- Strong polycarbonate cover and lens are all finely molded with streamline appearance.
- Innovative design with fewer components ensure stability during extended dwell time.
- 12 optional flash patterns and can be customized.
- 360° fully glowing surface with strong overall visual effects.

ITEM	VOLTAGE	COLOR	FLASH PATTERN	LED	IP	MOUNTING	WIRESVV	APPROVAL
ML10	10-30V	Single color	12	40pcs x 1W	IP67	Magnetic Mount, Bracket Mount, 4Bolts Mount	2.5m Cables or 50cm wires	R65 and R10

FEATURES

- SAE J845 Class 1 and CISPR 25 Class3 Certified, virtually no RFI/EMI radiation
- Strong polycarbonate cover and lens are all finely molded with streamline appearance.
- Innovative design with fewer components ensure stability during extended dwell time.
- 12 optional flash patterns and can be customized.
- 360° fully glowing surface with strong overall visual effects.

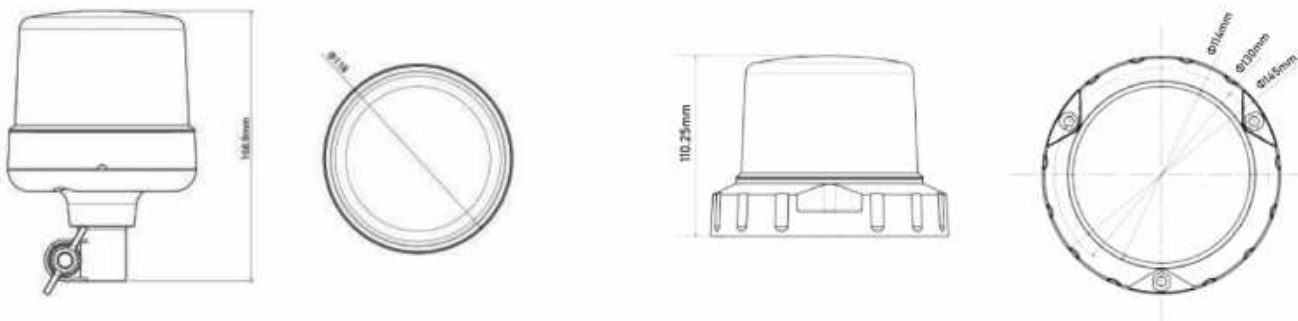
ITEM	VOLTAGE	COLOR	FLASH PATTERN	LED	IP	MOUNTING	WIRE	APPROVAL
ML15	10-30V	Single color	12	92pcs x 0.5W	IP67	Magnetic Mount, Bracket	2.5m Cables or 50cm wires	R65 and R10



BH18



DIMENSION



FEATURES

- 10-30V
- Available with Red, Blue, Amber and transparent lens
- Three mounting options, Permanent, Magnet, and Flexi-Din,
- which can be adjusted to 45degree, with a light bumps are bearable
- High profile led beacon, suit for heavy duty vehicles, like construction vehicle, heavy duty vehicle, fire truck
- With ECE R65, R10

ITEM	VOLTAGE	COLOR	FLASH PATTERN	LED	IP	MOUNTING	WIRE	APPROVAL
BH18	10-30V	Single color	10	18pcs x 3W	IP67	Magnetic Mount, Permanent Mount, Flexi DIN Mount	2.5m Cables or 30cm wires	R65 and R10
BH18D		Dual color		36pcs x 3W				

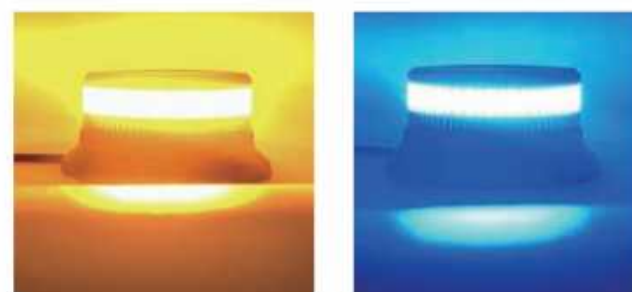
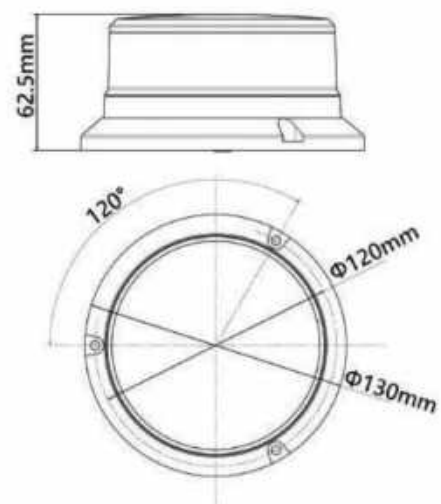




B16



DIMENSION



FEATURES

- Dual color beacon, two colors can be controlled seperately.
- Finely designed polycarbonate lens shape.
- 18pcs or 36pcs high-quality LEDs ensure consistant performance, extremely low current draw
- Fully encapsulated for moisture, vibration and corrosion resistance
- With 2 different mounting ways, included Permanent mount, strong magnet mount can pass 240km/h speed test.
- Suction cups and sprial cable is available

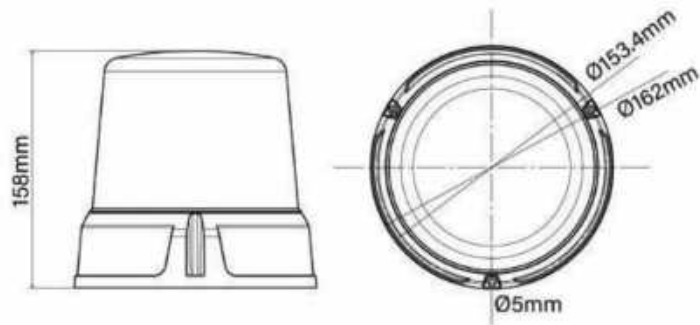
ITEM	VOLTAGE	COLOR	FLASH PATTERN	LED	IP	MOUNTING	WIRE	APPROVAL
B16	10-30V	Single color	10	18pcs x 3W	IP67	Magnetic Mount, Permanent Mount	2.5m Cables or 30cm wires	R65 and R10
B16D		Dual color		36pcs x 3W				



BL18



DIMENSION



FEATURES

- 10-30V
- Dimension 158Hx162D mm
- Available with Red, Blue, Amber and transparent lens
- Three mounting options, Permanent, Magnetic base, DIN mount
- Special design for big vehicles, like construction vehicle, heavy duty vehicle, fire truck in Germany and France
- ECE R65 Class2, R10 in pending

ITEM	VOLTAGE	COLOR	FLASH PATTERN	LED	IP	MOUNTING	WIRE	APPROVAL
BL18	10-30V	Single color	10	18pcs x 3W	IP67	Magnetic Mount, Permanent Mount, Flexi DIN Mount	2.5m Cables or 30cm wires	R65 and R10

BA18



DIMENSION



FEATURES

- Dual color beacon, two colors can be controlled separately.
- Finely designed polycarbonate lens shape.
- 18pcs or 36pcs high-quality LEDs ensure consistent performance, extremely low current draw
- Fully encapsulated for moisture, vibration and corrosion resistance
- Input Voltage: 10-30V
- LED: 18x3W or 36x3W
- Max. Power: 28 W
- Aluminum alloy base, more strong and powerful

ITEM	VOLTAGE	COLOR	FLASH PATTERN	LED	IP	MOUNTING	WIRE	APPROVAL
BA18	10-30V	Single color	10	18pcs x 3W	IP67	Permanent	30cm wires	R65 and R10



HPSC SERIES



DIMENSION



FEATURES

- Provides a reliable, temporary vacuum mount, without drilling holes
- Rubber vacuum pad will not mark or damage most surfaces
- Attaches to flat or curved, smooth, nonporous surfaces
- Red-line indicator warns user of any vacuum loss
- Check valve allows re-pumping without loss of remaining vacuum
- Lift tabs on vacuum pad edges permit instant release
- Supplied with vacuum pad protector

MODEL	PAD DIAMETER	LOADING CAPACITY	IRON PLATE DIAMETER	MATERIAL	SCREW
HPSC series	4.5\"/>				

B24



FEATURES

- Finely designed polycarbonate lens shape with plastic base
- 36pcs high-quality LEDs ensure consistent performance, extremely low current draw
- Fully encapsulated for moisture, vibration and corrosion resistance
- With 3 different mounting ways, included permanent mount, magnet mount, pole mount
- Certificates: R65 XA2, XB2; R10
- Color Available: Blue/Amber/ Red/ White

ITEM	VOLTAGE	COLOR	FLASH PATTERN	LED	IP	MOUNTING	WIRE	APPROVAL
B24	10-30V	Single color	10	24pcs x 3W	IP66	Permanent Mount, Magnetic Mount, Flexi DIN Mount	2.5m Cables or 30cm wires	R65 and R10



LED HIDEAWAY LIGHT HT4



DIMENSION



FEATURES

- Tiny and powerful lighthouse
- Finely designed polycarbonate lens shape
- 4pcs x 3W or 8 x 3W high-quality LEDs ensure consistent performance
- Extremely low current draw
- Fully encapsulated for moisture, vibration and corrosion resistance
- With 2 different mounting ways, flush mount, and bracket mount
- With built-in flasher

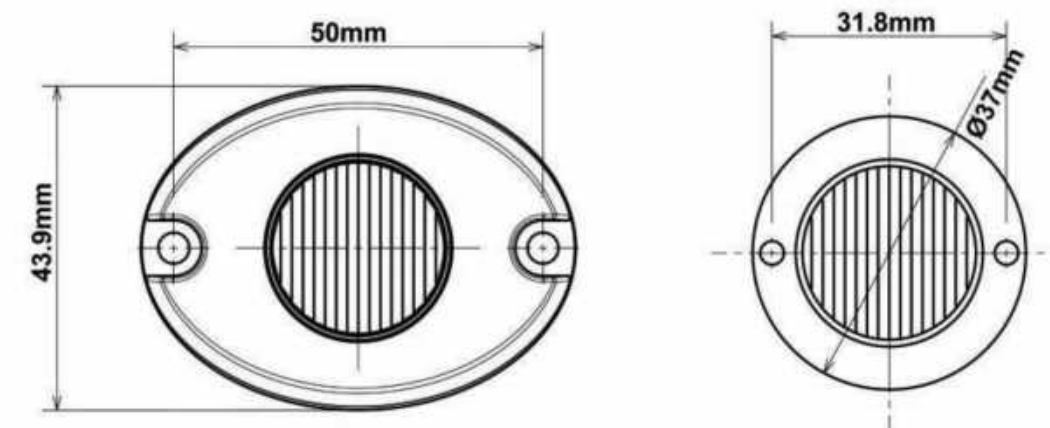
ITEM	VOLTAGE	COLOR	FLASH PATTERN	LED	IP	MOUNTING	WIRE	APPROVAL
NV-HT4	10-30V	Single color	12	4pcs x 3W	IP67	Flush Mount, Bracket Mount	20cm 4-core wires	R65 and R10
NV-HT4D		Dual color		8pcs x 3W			20cm 5-core wires	

NV-HS4-S

External Flasher



DIMENSION



ITEM	VOLTAGE	COLOR	FLASH PATTERN	LED	IP	MOUNTING	WIRE	APPROVAL
NV-HS4-S	10-30V	Single Head	12	4pcs x 3W	IP67	Screw Mount, Bezel Mount	2.5m cables	R65 and R10
NV-HS4-D		Dual Heads		8pcs x 3W				



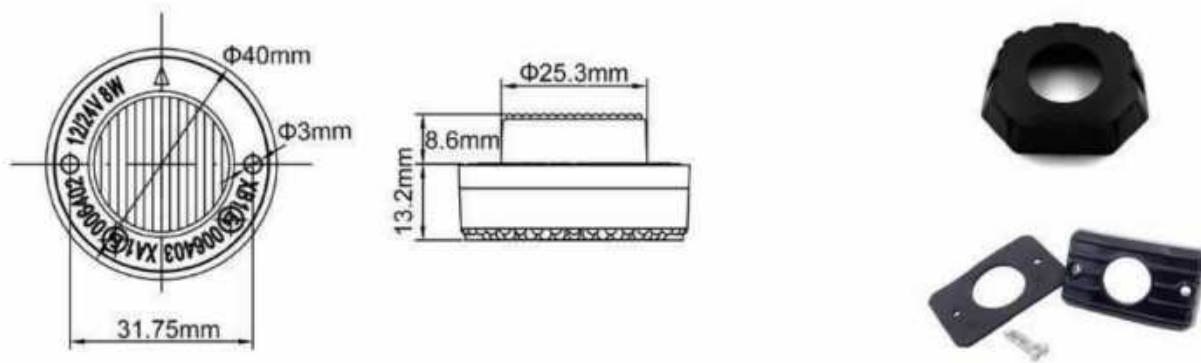
HM4



H8



DIMENSION



FEATURES

- Tiny and powerful lighthouse
- Built-in flasher - no external flasher needed
- 4pcs x 3W or 8 x 3W high-quality LEDs ensure consistent performance
- Extremely low current draw
- Fully encapsulated for moisture, vibration and corrosion resistance
- With 2 different mounting ways, screw mount or mount with a bezel
- With built-in flasher

ITEM	VOLTAGE	COLOR	FLASH PATTERN	LED	IP	MOUNTING	WIRE	APPROVAL
NV-HM4	10-30V	Single color	12	4pcs x 3W	IP67	Screw Mount, Bezel Mount	20cm 4-core wires	R65 and R10
NV-HM4D		Dual color					20cm 5-core wires	
NV-H8		Single color / Dual color		8pcs x 3W			20cm 4-core wires	/

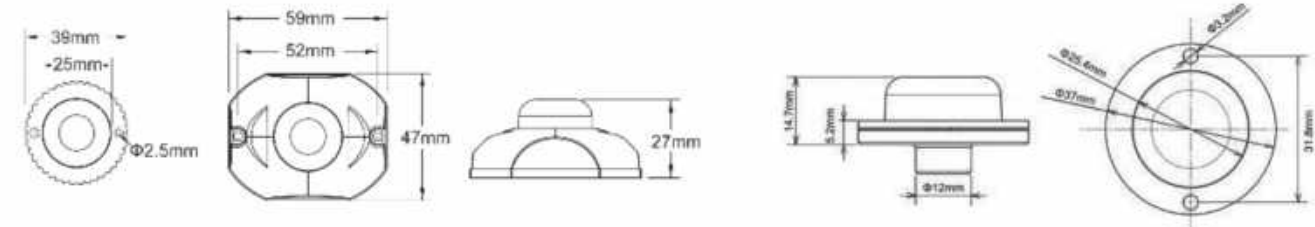
NV-H12



NV-H6



DIMENSION



FEATURES

- 12 or 10-30VDC
- CE approval
- Surface mount
- Comes with aluminum cover
- Dimension 39Dx20Hmm
- Waterproof: IP67
- Function: Single color or dual color
- With built-in flasher
- 10-30VDC
- CE approval
- Surface mount
- A bezel is available
- Dimension 37Dx15Hmm
- 130mm European universal screw hole
- With external flasher

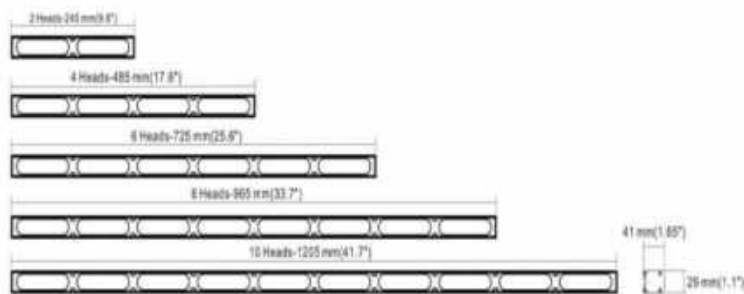
ITEM	VOLTAGE	COLOR	FLASH PATTERN	LED	IP	MOUNTING	WIRE	APPROVAL
NV-H12	10-30V	Single color	17	12pcs x 3W	IP67	Screw Mount, Bezel Mount	20cm 4-core wires	/
NV-H12D		Dual color						
NV-H6		Single color	12	6pcs x 3W				



TA SERIES



DIMENSION



FEATURES

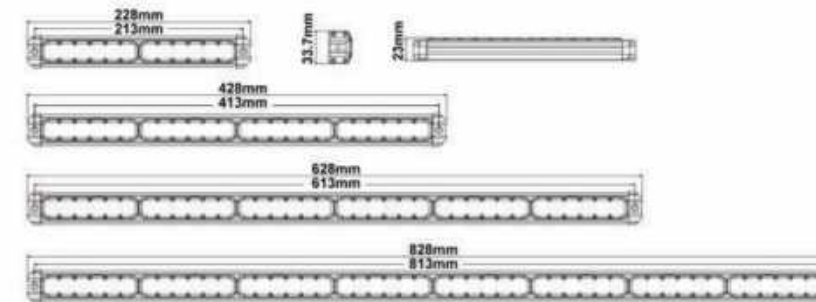
- Adopts high power LED as light source
- Available in single dual and triple color
- Waterproof interior or exterior mount
- TA series comes with 3wire cable(power, ground, pattern select)
- Bottom and rear T-slots allow for easy mounting via M3 bolt
- Side aluminum housing for efficient heat dissipation prolongs lifespan
- Sealed 06 heads for maximum reliability

ITEM	VOLTAGE	COLOR	FLASH PATTERN	LED	IP	MOUNTING	WIRE	APPROVAL
TA	10-30V	Single color	2-4modules: 20 >4modules:31	3W/LED	IP67	Permanent Mount, Bracket Mount	2.5m Cables	R65 and R10
		Dual color						

TN SERIES



DIMENSION



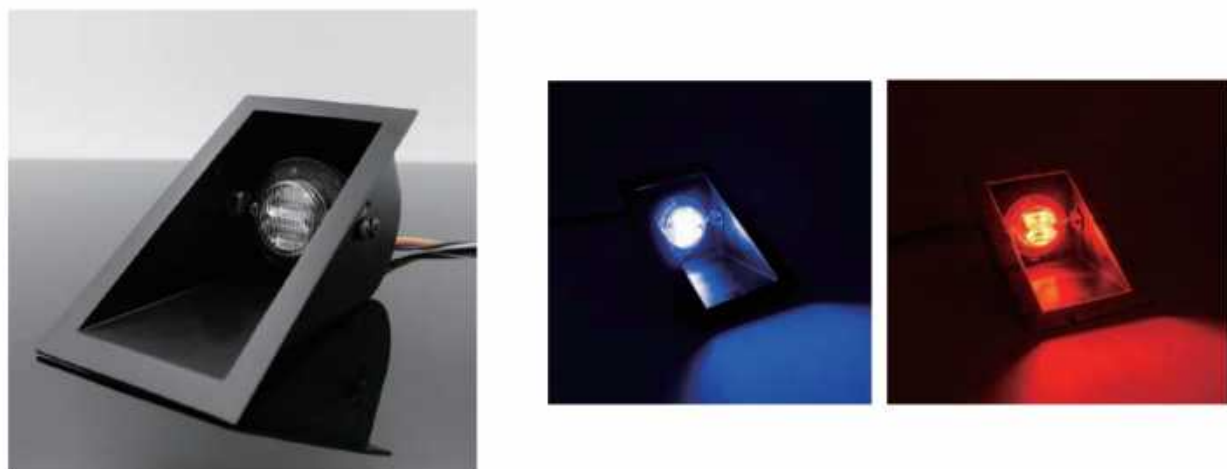
FEATURES

- Adopts high power LED as light source
- Available in single and dual colors
- Waterproof interior or exterior mount
- TN series comes with 5wire cable(+, -, MODE, Dimming, Alternating)
- Surface mount or bracket mount for options
- Aluminum housing for efficient heat dissipation prolongs lifespan
- Sealed 2heads, 4heads, 6heads and 8heads for maximum reliability

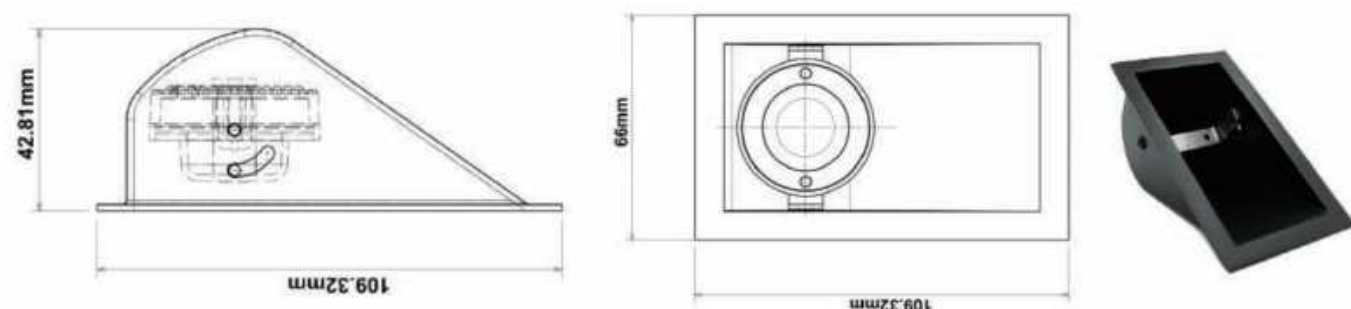
ITEM	VOLTAGE	COLOR	FLASH PATTERN	LED	IP	MOUNTING	WIRE	APPROVAL
TN	10-30V	Single color	20	3W/LED	IP67	Permanent	50cm Cables	R65 and R10



VISOR LIGHT & WINDOW POD



DIMENSION



FEATURES

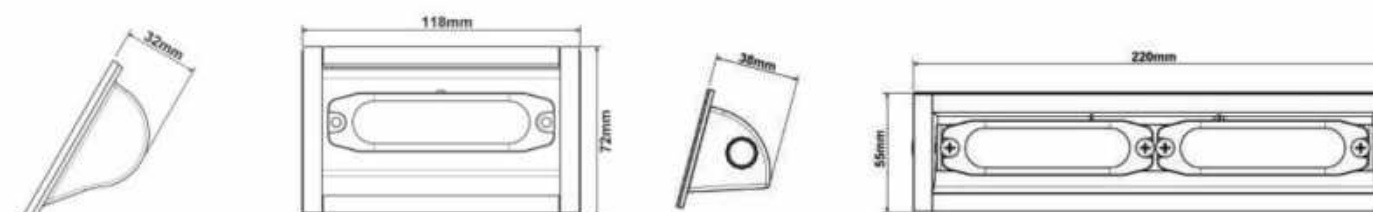
- HM4, H8 for your options to fix inside the window pods
- Input Voltage: 10~33V DC
- Max. Power: 12 W.
- Certificates: R65 XA1, XB1; R10
- Dimensions: 109mm x 66mm x42mm.
- Color Available: Blue/ Amber/ Red/ White/ Green
- Waterproof: IP67

ITEM	VOLTAGE	COLOR	FLASH PATTERN	LED	IP	MOUNTING	WIRE	APPROVAL
DM4	10-30V	Single color	20	4pcs x 3W	IP67	3M Mount	20cm wires	R65 and R10
		Dual color		8pcs x 3W				

DF6



DIMENSION



FEATURES

- Visor Light
- Silicone optical lens F6 inside of window pods
- Certificates: R65 XA1, XB1; R10
- Dimensions: 118mm x 76mm x29mm.
- Color Available: Blue/ Amber/ Red/ White/ Green
- Waterproof: IP67
- 04 and F6 modules can be built-in
- The spare parts window pods is for your options
- Single color or Dual color
- The window pods can be available independently
- 3M mounting options anti-collision design

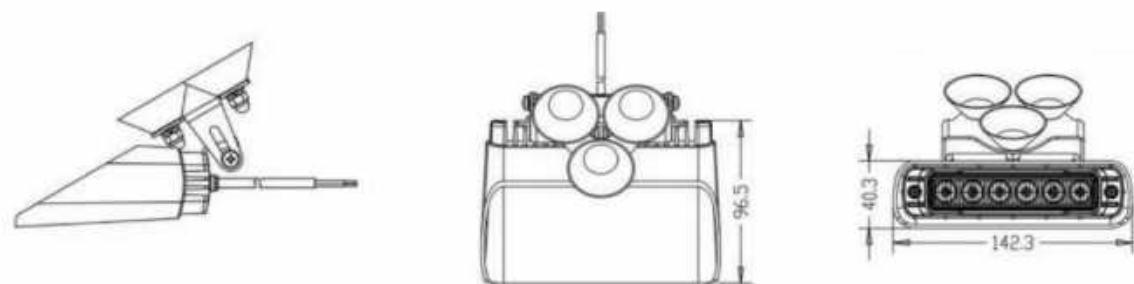
ITEM	VOLTAGE	COLOR	FLASH PATTERN	LED	IP	MOUNTING	WIRE	APPROVAL
DF6				6pcs x 3W				
DO4	10-30V	Single color Dual color	20	4pcs x 3W	IP67	3M Mount	20cm Wires or 2.5 cables with Cig plug	R65 and R10
DO8				8pcs x 3W				



DN6



DIMENSION



Mounting, Suction Cups

FEATURES

- 10-30VDC
- 6 x 3W LED
- 20 flash patterns
- ECE R65 and ECE R10 Certified
- Adjustable brackets, suitable for various applications
- Comes with 3pcs suction cups
- Single color
- IP67

ITEM	VOLTAGE	COLOR	FLASH PATTERN	LED	IP	MOUNTING	WIRE	APPROVAL
DN6	10-30V	Single color	20	6pcs x 3W	IP67	Suction Cup Mount	2.5m cables with Cig Plug	R65 and R10

D6 & D12

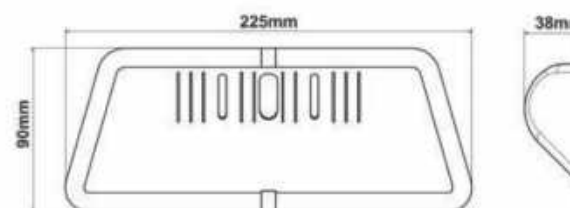


Double Modules

Single Module



DIMENSION



FEATURES

- 10-30VDC
- 6pcs or 12pcs 3W LEDs
- 20 flash patterns
- SAE J595, CA T13, ECE R65 and ECE R10 Certified
- Adjustable brackets, suitable for various applications
- Comes with suction cup or 3M tape
- Single Module or Double Module options
- IP67

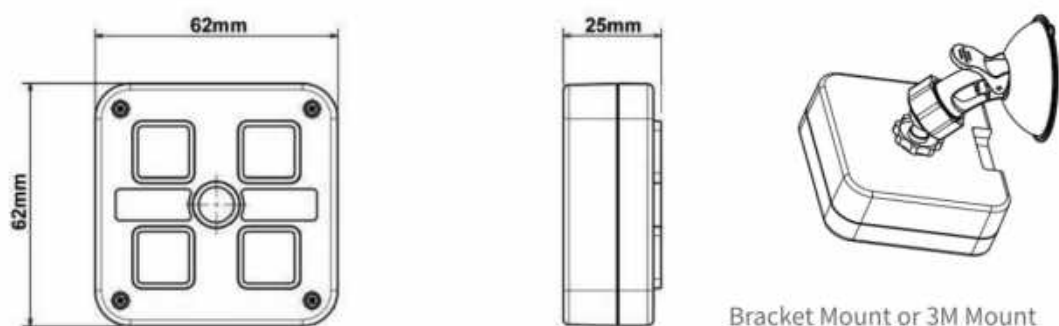
ITEM	VOLTAGE	MODULE	FLASH PATTERN	LED	IP	MOUNTING	WIRE	APPROVAL
D6	10-30V	Single Module	20	6pcs x 3W	IP67	3M Mount	2.5m Cable with Cig plug	R65 and R10
D12		Double Module		12pcs x 3W				



SC5X



DIMENSION



Bracket Mount or 3M Mount

FEATURES

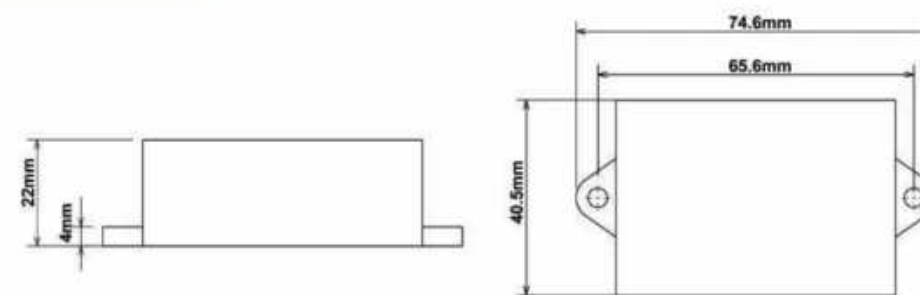
- 4 programmable momentary or On/Off buttons
- 18 selectable icon sticker to clearly label your panel
- 4x5Amp outputs
- Dual color LED background rubber buttons
- 1/4" thread stand screw hole for bracket mount.
- Master-Slaves function for your options
- IP67
- Two mounting brackets for your options

ITEM	VOLTAGE	MAX OUTPUT	FUSE	MOUNTING	DIMENSION	WIRE	APPROVAL
SC5X	10-30V	20A	5A for each switch	3M Mount, Bracket Mount	62x62x25mm	30cm Cables	R10

AC-R2A



DIMENSION



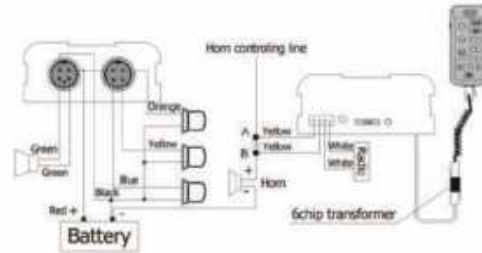
FEATURES

- 10-30V blink device for side marker lamps
- Max Current 2A
- IP68, waterproof relay for side markers. Side markers flash synchronously with D.I.
- According to ECE R48, Rev. 6
- Applications: Heavy duty trucks and trailers, transportation vehicles
- Can be bespoke
- 1 unit per vehicle side, 2 units per vehicle

ITEM	VOLTAGE	MAX OUTPUT	IP	MOUNTING	DIMENSION	WIRE	APPROVAL
AC-R2A	10-30V	2A	IP68	Screw Mount	75x41x22mm	30cm Cables	R10 in pending.



NV-SR100RD



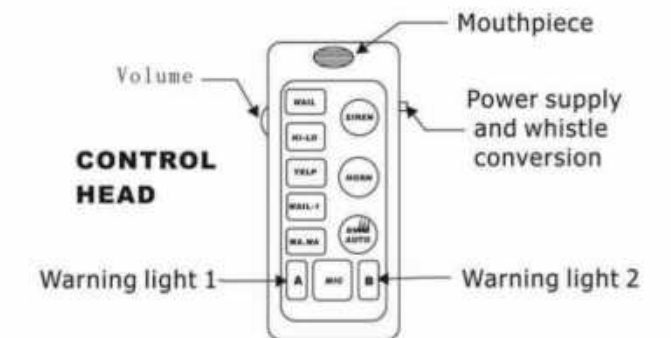
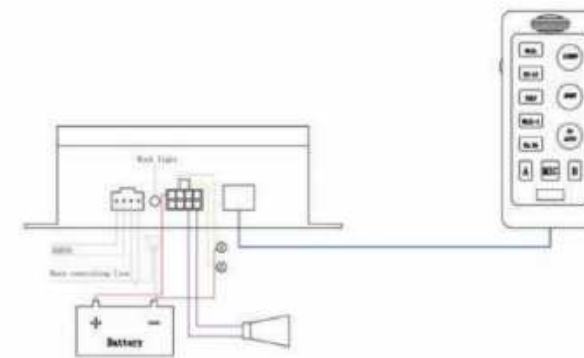
NW-SR100SD



FEATURES

- Monolithic integrated circuit in steadier performance
- Tone characteristic: Aux, Yelp, Hi-lo, Wail-1, wail-2, Siren, Horn, Super-siren. Yelp relay
- Can control the siren, lightbar and expanded lights.
- Comes with handhold controller
- Voice enlarges: Speaker sensitivity 50mv, output volume can be adjusted.
- Support the external triggering function of steering wheel.
- Have the media amplifier function.
- Warning sound volume adjustable.
- Tones are ready to be customised.
- Unique and scientific design, perfect function, convenience for operation, safely and reliably

DIMENSION



ITEM	VOLTAGE	POWER	IMPEDANCE	FUNCTION	DIMENSION	LIGHT SWITCHES	APPROVAL
NV-SR100RD	12/24V	100W	8Ω/11Ω	Police, Fire, Ambulance, Wrecker, Project	200x108x48mm	3	CE, RoSH

ITEM	VOLTAGE	POWER	IMPEDANCE	FUNCTION	DIMENSION	LIGHT SWITCHES	APPROVAL
NV-SR100SD	12/24V	100W/200W	8Ω/11Ω	Wail1, Wail2, Yelp, Hi-Lo, Wa.Wa, Horn, Siren	160x116x50mm	3	/



NV-SR100AD	
L*W*H(MM)	194 x 155 x 57
VOLTAGE	DC12V
POWER	100W/200W
IMPEDANCE	8Ω /11Ω
DISTORTION/ SOUND	Yelp, Hi-lo, Wail-1, Wail-2, Manual
LIGHT SWITCHES	2



NV-SR100VD	
L*W*H(MM)	120 x123 x 54
VOLTAGE	DC12V
POWER	100W
IMPEDANCE	8Ω /11Ω
DISTORTION/ SOUND	Horn, Siren,Yelp,Wail-2, Wail, HI-Lo,Wail-3
LIGHT SWITCHES	2



NV-SP100-2	
L*W*H(MM)	182 x 135 x 175
FREQUENCY	400-4000Hz
POWER	100W
IMPEDANCE	8Ω
SOUND DISTORTION	≤5%
SOUND COMPRESSION LEVEL	120-130db



NV-SP100-1	
L*W*H(MM)	205 x 173 x 132
FREQUENCY	400-4000Hz
POWER	100W/200W
IMPEDANCE	8Ω
SOUND DISTORTION	≤5%
SOUND COMPRESSION LEVEL	120-130db



NV-SP100-9	
L*W*H(MM)	166 x 150 x 146
FREQUENCY	400-4000Hz
POWER	100W
IMPEDANCE	4Ω/6Ω/8Ω
SOUND DISTORTION	≤5%
SOUND COMPRESSION LEVEL	120-130db



NV-SP200	
L*W*H(MM)	215 x 189 x 118
FREQUENCY	300-4600Hz
POWER	200W
IMPEDANCE	4Ω/6Ω/8Ω
SOUND DISTORTION	≤5%
SOUND COMPRESSION LEVEL	120-130db



NV-S100-2	
L*W*H(MM)	192 x172 x 87
FREQUENCY	400-4000Hz
POWER	100W
IMPEDANCE	8Ω /11Ω
SOUND DISTORTION	≤5%
SOUND COMPRESSION LEVEL	120-130dB



SP100-3B	
L*W*H(MM)	145 x 138 x 52
FREQUENCY	400-4000Hz
POWER	100W
IMPEDANCE	4Ω/6Ω/8Ω/11Ω
SOUND DISTORTION	≤5%
SOUND COMPRESSION LEVEL	120- 130db



SPARE PARTS

SPARE PARTS





ECE

The United Nations Economic Commission for Europe (UNECE) Transport Division has been providing secretariat services to the World Forum for Harmonization of Vehicle Regulations for more than 50 years. ECE is a quality mark that shows that your vehicle or product complies with EC guidelines. The EC directives can be understood as the legislation of the European Union.

ECE R65

ECE R65 is a developed standard in the EU that affects warning and emergency light. This covers several different characteristics that a warning light has. Such as light image, color, intensity and frequency. This applies to 360° radiant light as well as directed warning light. For approval, all minimum requirements must be met. This approval is a requirement for products for use as warning light on vehicles.

Class I ECE R65 is also divided into two different classes. Class I is the standard for night mode.

Class II Class II is the standard for day- and night mode. The equipment needs to be able to switch in order to meet the requirements.

R10

ECE-R 10 is a type of approval for electrical systems on vehicles and means that the lighting does not cause interference with other electrical equipment.

SAE

SAE International (SAE), formerly the Society of Automotive Engineers, is a professional organization for mobility engineering professionals in the aerospace, automotive, and commercial vehicle industries. The Society is a standards development organization for the engineering of powered vehicles of all kinds, including cars, trucks, boats, aircraft, and others. The SAE standards are mainly used in the US and Canada and do not recognize ECE approvals

IP67

IP stands for 'International Protection Rating' and indicates whether a product is dust and waterproof. IP67 means completely dust-tight and immersion-proof to a depth of 1 meter for up to 30 minutes.

IP68

IP stands for 'International Protection Rating' and indicates whether a product is dust and waterproof. IP68 means completely dustproof and waterproof to depths of more than 1 meter and longer than 30 minutes.

IP69K

IP stands for 'International Protection Rating' and indicates whether a product is dust and waterproof. IP69K means completely dust-tight, waterproof, moisture-proof and high-pressure spray resistant.

CISPR 25

CISPR 25 Class 5 is a classification for components designed to have the lowest level of electromagnetic emissions so that systems function properly without interference.

R7

ECE-R7 is a regulation for daytime running lights. ECE-R7 certified lighting may be officially used as daytime running lights if installed and connected correctly.

R112

ECE-R112 is a regulation for high beams. ECE-R112 certified lighting may officially be used as high beam if properly installed and connected.

R148

ECE-R148 is an overarching new regulation and follows, among others, R7. ECE-R148 certified lighting may be officially used as daytime running lights if installed and connected correctly.

R149

ECE-R149 is an overarching new regulation and follows, among others, R112. ECE-R149 certified lighting may officially be used as high beam if installed and connected correctly.

